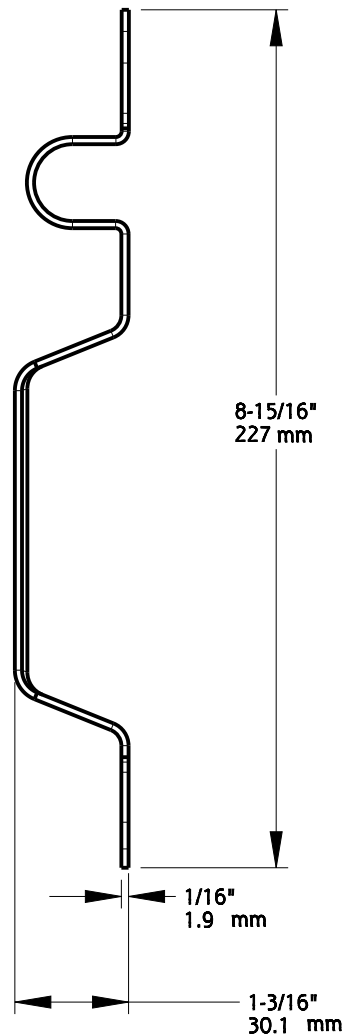
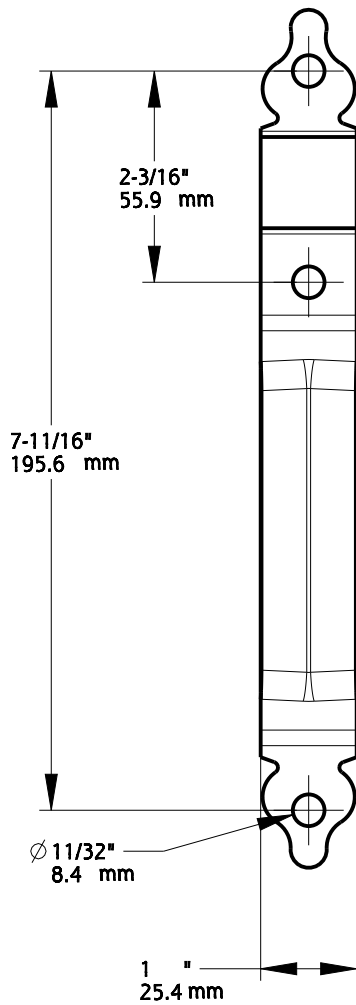


DECO STRAP HINGE

Material: Steel
Finish: Black Powder
Fasteners:
(12) Hex screw, 5/16" x 2"

Page 1 of 4

Revision	1	DO NOT SCALE	V8420	N109-306
Date	December 2017	Dimensions are nominal and subject to change. ©2017 Spectrum Brands, Inc.	Family Name	SKU
			DELUXE DECO KIT, STRAP HINGE	
			Description	

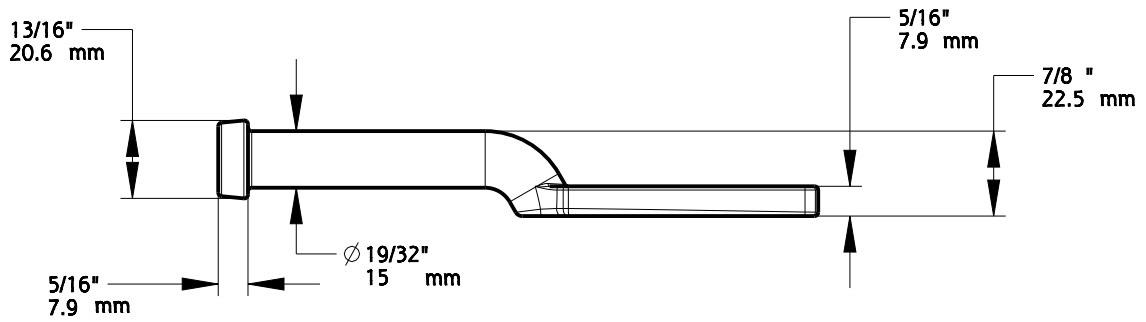
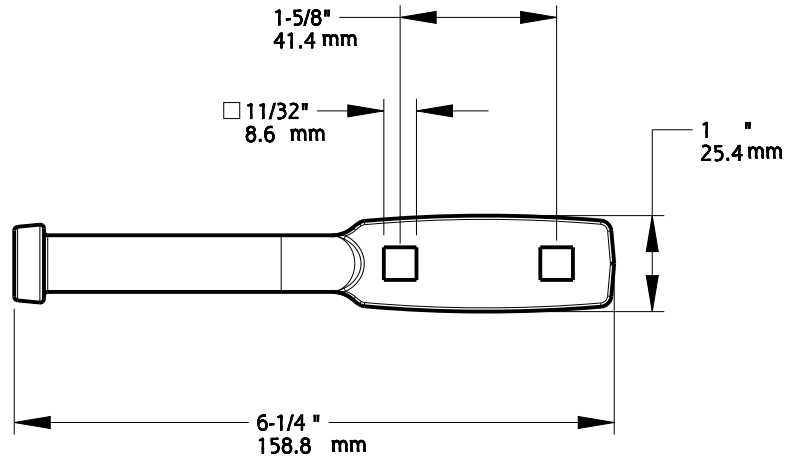


PULL

Material: Steel
Finish: Black Powder
Fasteners:
(2) Hex Screw, 1/4" x 1-1/2"
(1) Hex Bolt, 5/16"-18 x 1-1/4"
(1) Hex Nut, 5/16"-18
(1) Washer, 5/16"

Page 2 of 4

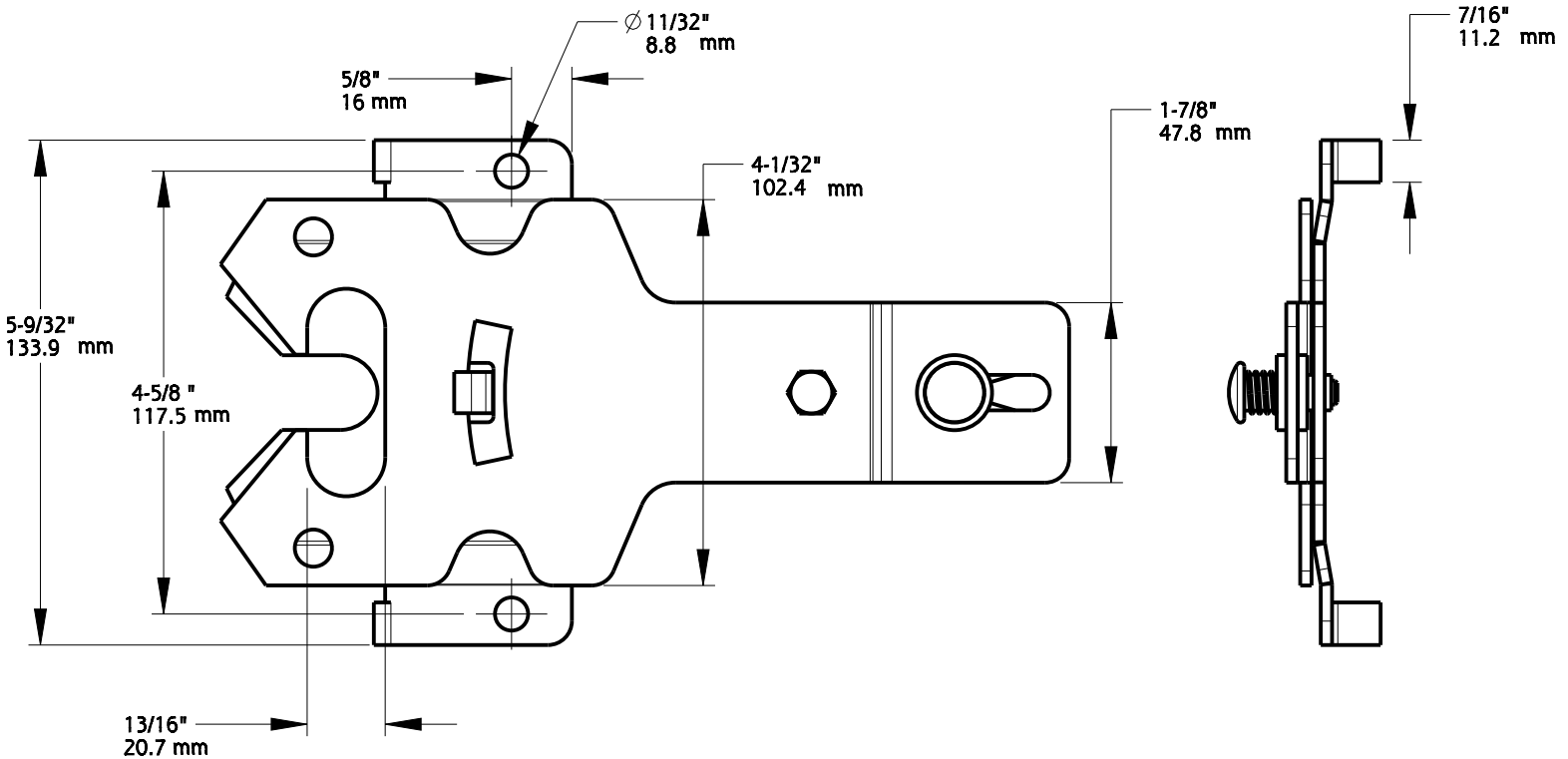
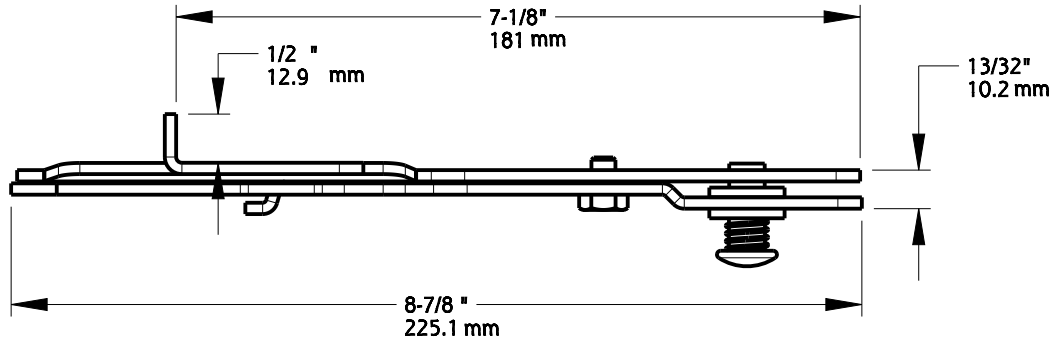
<p>Revision</p> <p>1</p>	<p>DO NOT SCALE</p> <p>Dimensions are nominal and subject to change.</p>	<p>Family Name</p> <p>V8420</p>	<p>SKU</p> <p>N109-306</p>
<p>Date</p> <p>December 2017</p>	<p>©2017 Spectrum Brands, Inc.</p>	<p>Description</p> <p>DELUXE DECO KIT, STRAP HINGE</p>	



STRIKE BAR

Material: Steel
 Finish: Black Powder
 Fasteners:
 (2) Hex Screw, 5/16" x 2"

Revision	1	DO NOT SCALE	V8420	N109-306
Date	December 2017	Dimensions are nominal and subject to change. ©2017 Spectrum Brands, Inc.	Family Name	SKU
			DELUXE DECO KIT, STRAP HINGE	
			Description	



LATCH

Material: Steel
 Finish: Black Powder
 Fasteners:
 (2) Hex Screw, 5/16" x 2"
 Page 4 of 4

Revision	1	DO NOT SCALE	V8420	N109-306
Date	December 2017	Dimensions are nominal and subject to change. ©2017 Spectrum Brands, Inc.	Family Name	SKU
			DELUXE DECO KIT, STRAP HINGE	
			Description	