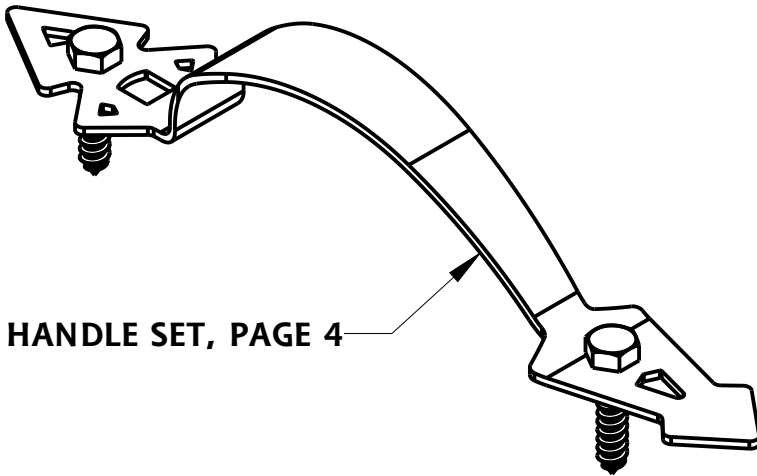
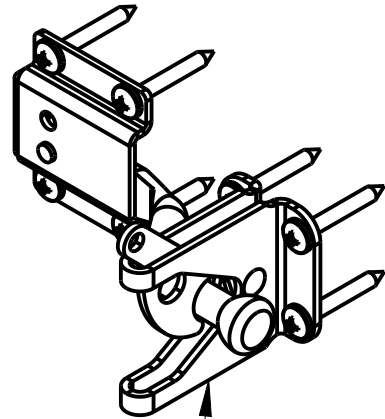


HINGE, PAGE 2

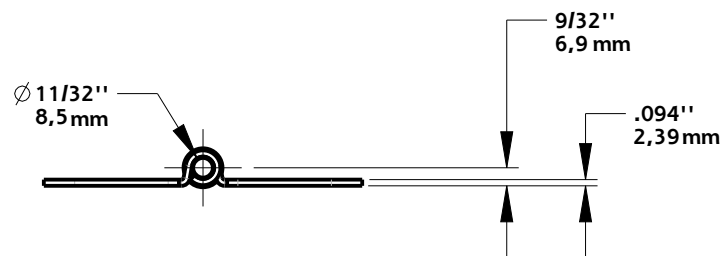
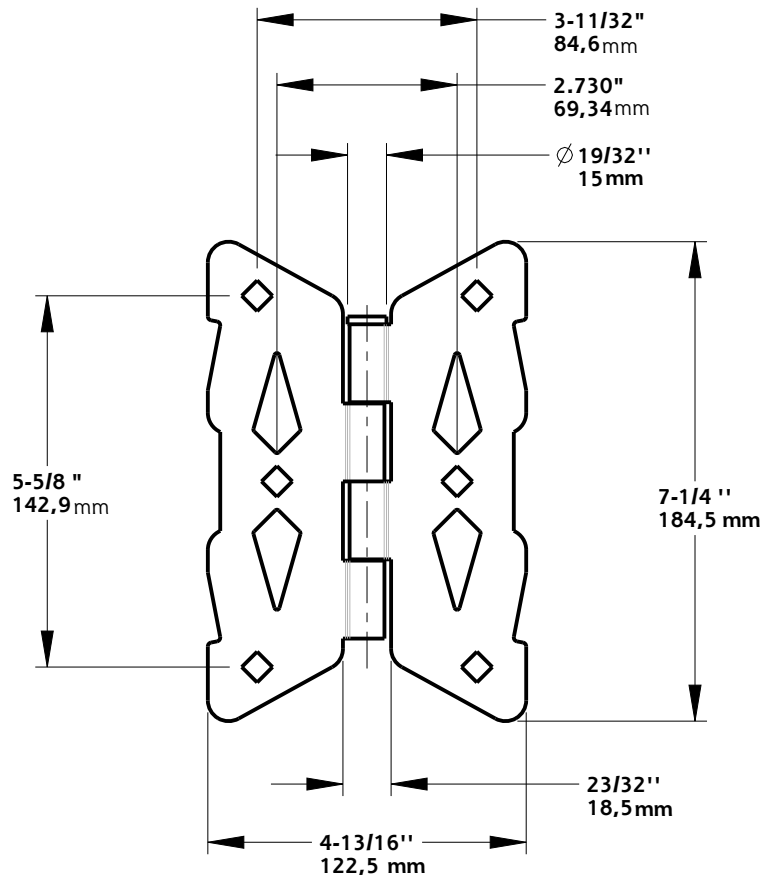


HANDLE SET, PAGE 4



LATCH, PAGE 3

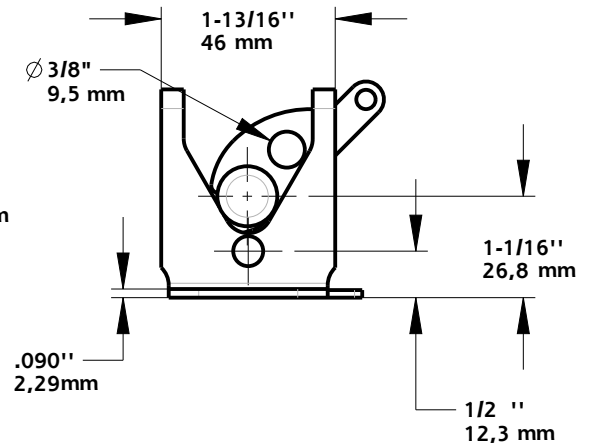
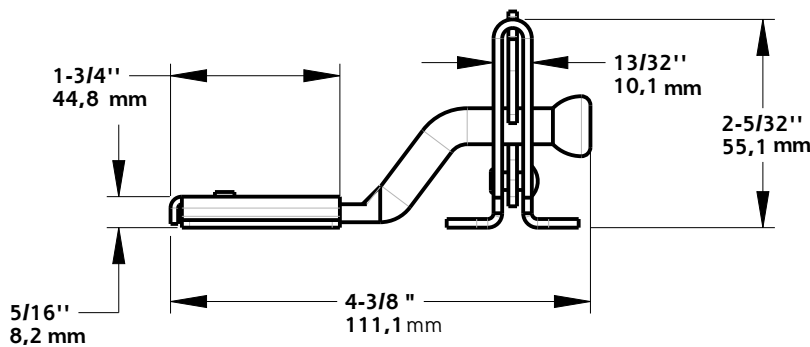
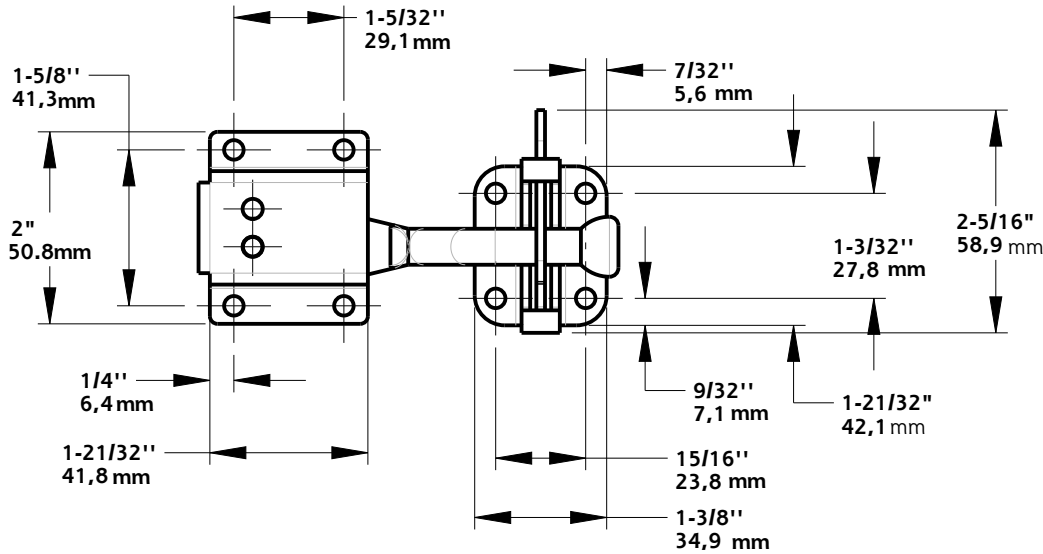
<p>Revision</p> <p style="text-align: center;"><b>1</b></p>	<p style="text-align: center;">DO NOT SCALE</p> <p style="text-align: center;">Dimensions are nominal and subject to change.</p>	<p>Family Name</p> <p style="text-align: center;"><b>V8418</b></p>	<p>SKU</p> <p style="text-align: center;"><b>N109-300</b></p>
<p>Date</p> <p style="text-align: center;"><b>December 2017</b></p>	<p>©2017 Spectrum Brands, Inc.</p>	<p>Description</p> <p style="text-align: center;"><b>BUTTERFLY HINGE KIT</b></p>	



Material : Steel(BLACK)  
Fasteners:(12) Hex Bolt, #5/16 x 2"

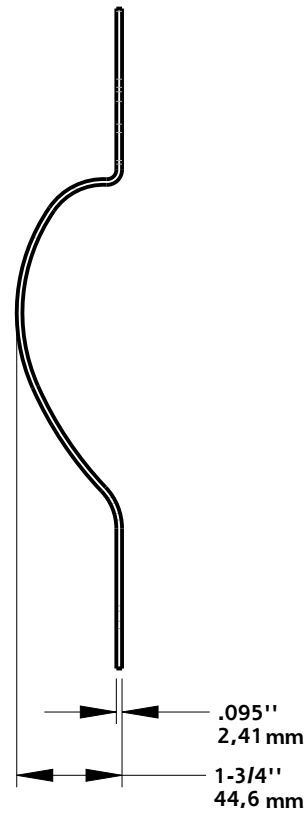
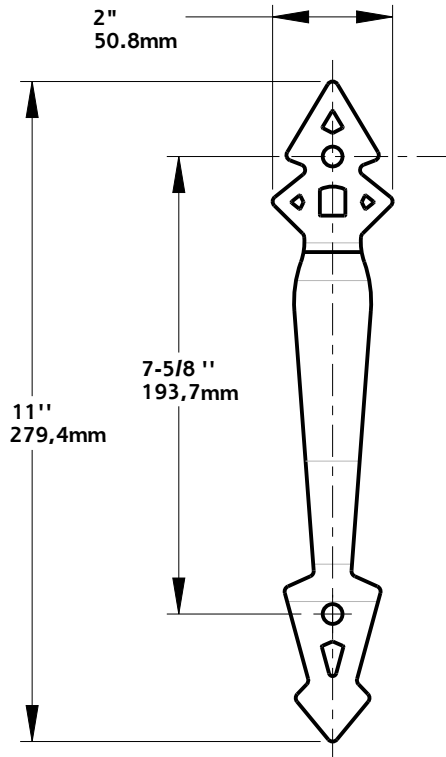
PAGE 2 OF 4

Revision	<b>1</b>	DO NOT SCALE	<b>V8418</b>	<b>N109-300</b>
Date	<b>December 2017</b>	Dimensions are nominal and subject to change.	Family Name	SKU
		©2017 Spectrum Brands, Inc.	<b>BUTTERFLY HINGE KIT</b>	
			Description	



Material : Steel (BLACK)  
Fasteners: (8) 10X 1-25 PAN HEAD SCREW

<b>1</b>	DO NOT SCALE	<b>V8418</b>	<b>N109-300</b>
Revision	Dimensions are nominal and subject to change.	Family Name	SKU
<b>December 2017</b>	©2017 Spectrum Brands, Inc.	<b>BUTTERFLY HINGE KIT</b>	
Date		Description	



Material : Steel(BLACK)  
 Fasteners: (2) 5/16X 1-1/2" HEX LAG SCREW  
 (1) 5/16X 1-1/4" HEX LAG SCREW  
 (1) 5/16-24 UNF-2B HEX NUT

Revision	1	DO NOT SCALE	V8418	N109-300
Date	December 2017	Dimensions are nominal and subject to change. ©2017 Spectrum Brands, Inc.	BUTTERFLY HINGE KIT	
		Family Name	SKU	
		Description		