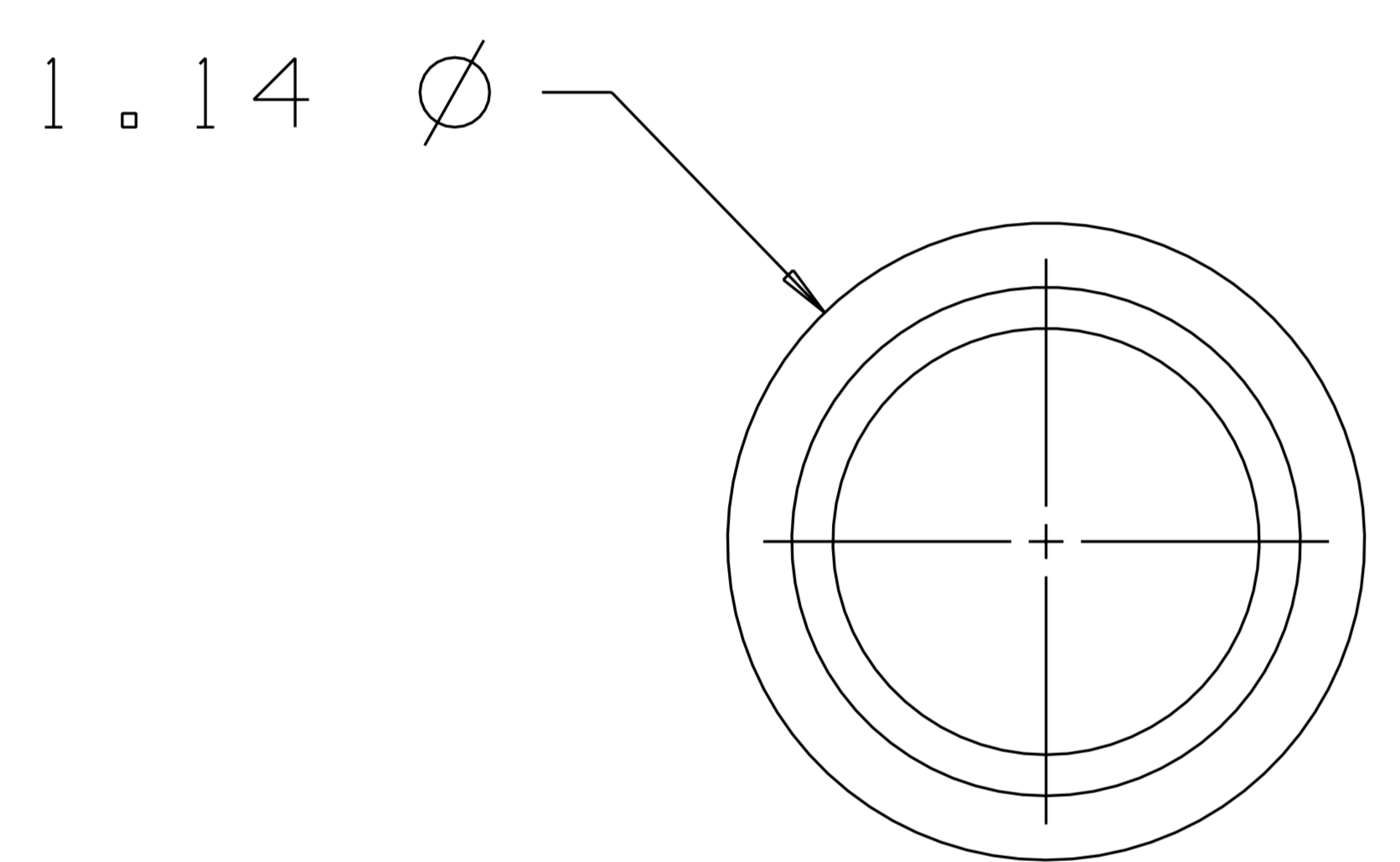
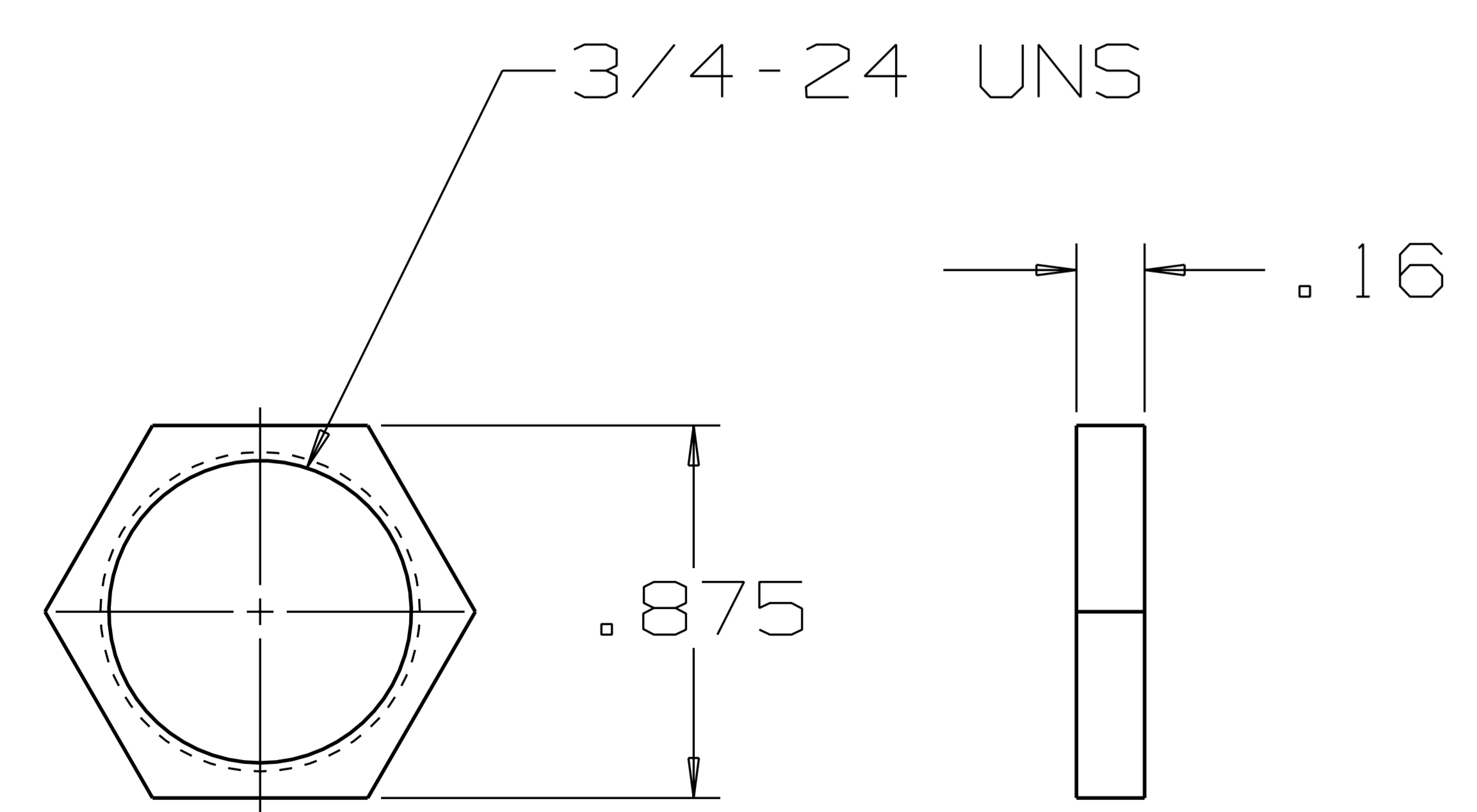


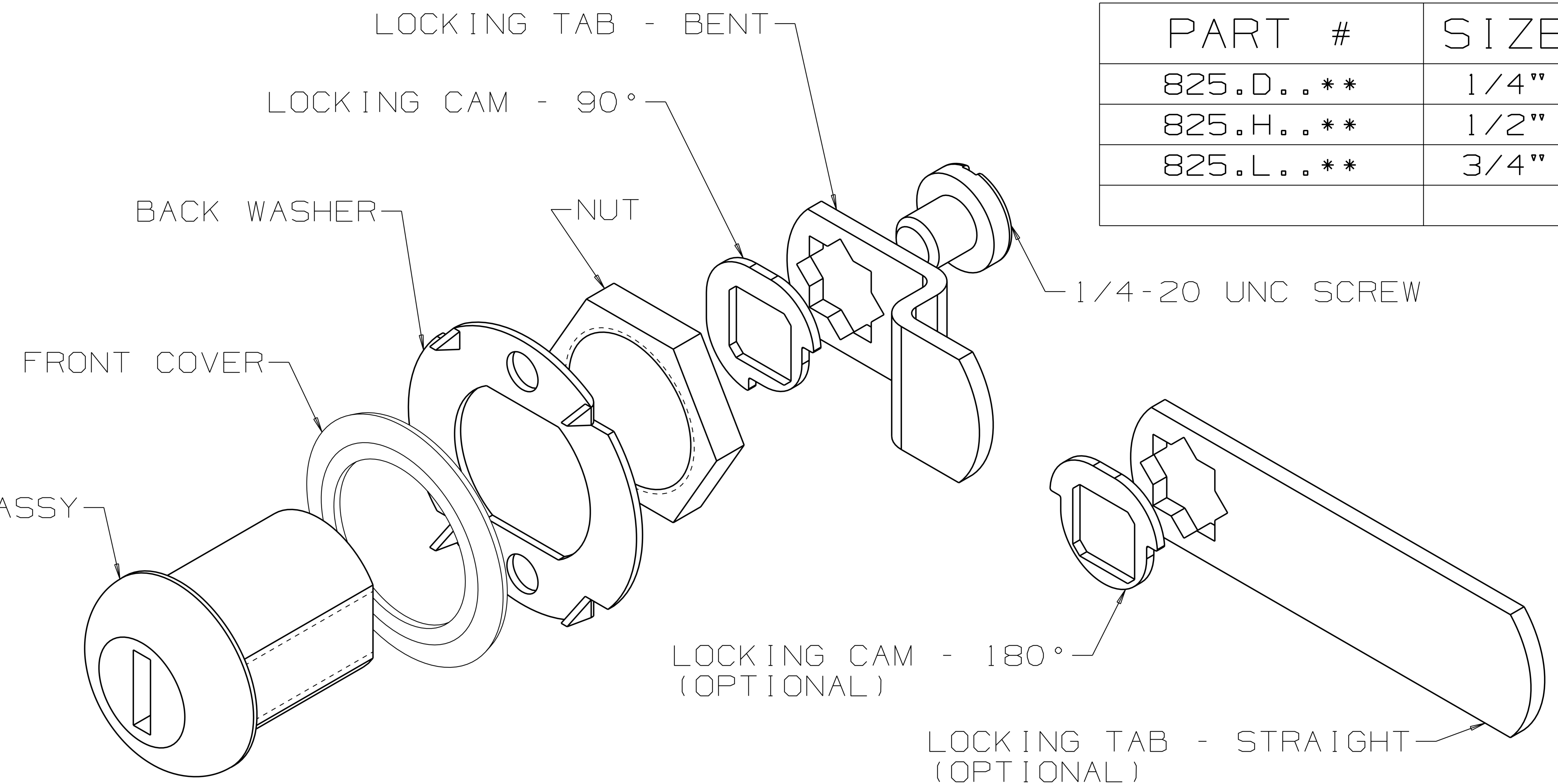
LOCK ASSY



FRONT COVER



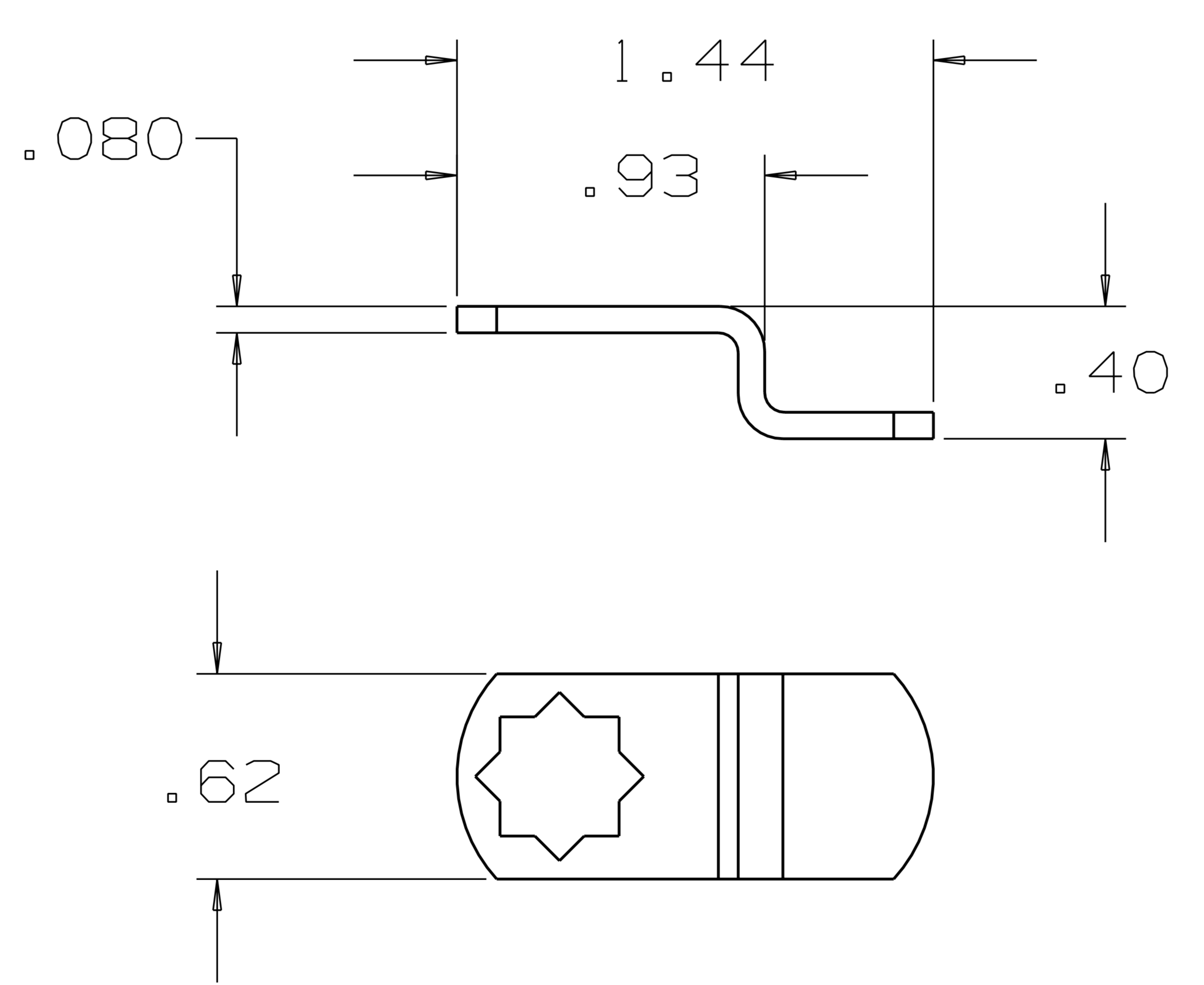
NUT



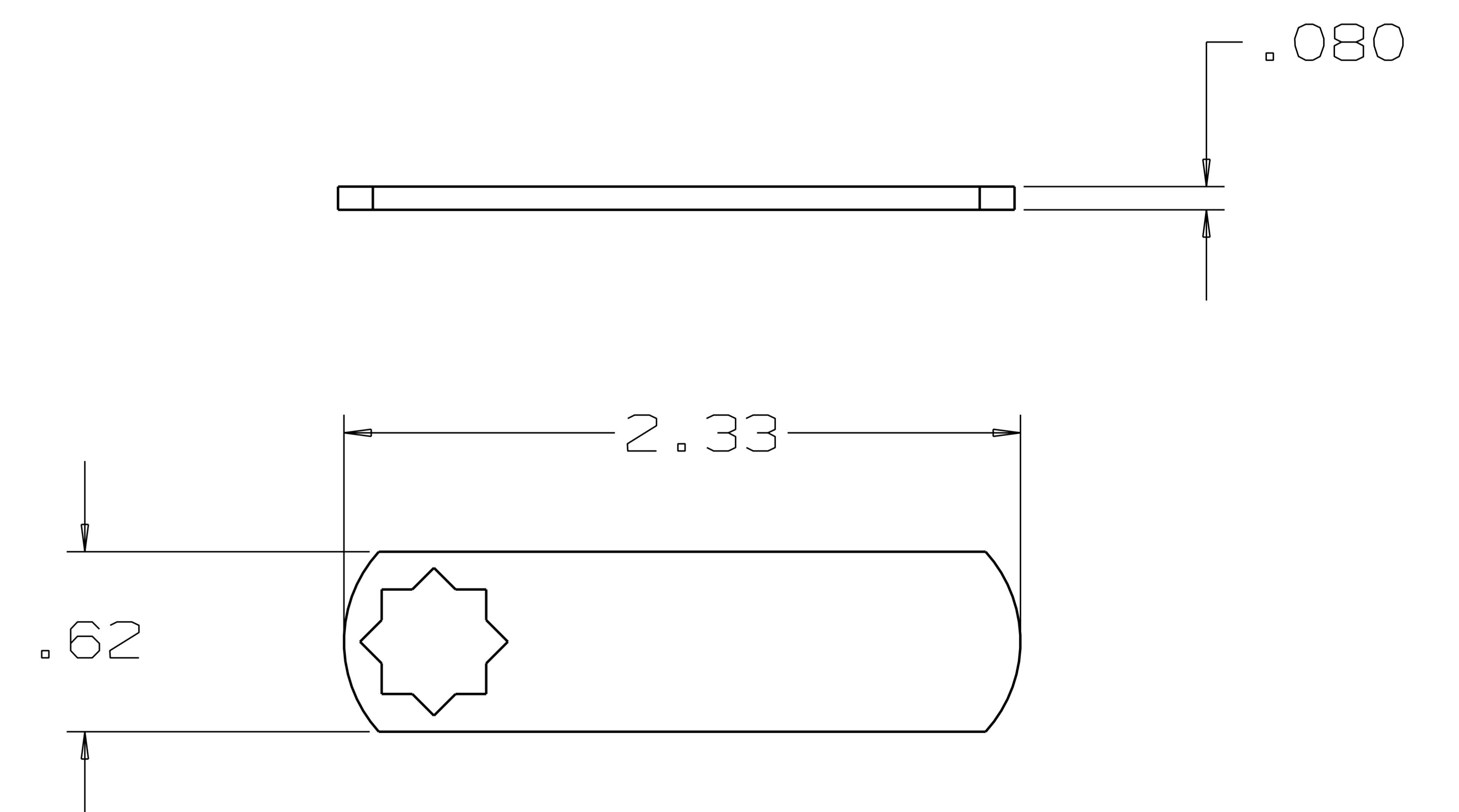
ASSEMBLY VIEW

NOTE: TWO KEYS INCLUDED WITH EACH ASSEMBLY.

PART #	SIZE	"A"
825.D.**	1/4"	.89
825.H.**	1/2"	1.15
825.L.**	3/4"	1.39



LOCKING TAB - BENT



LOCKING TAB - STRAIGHT

DIMENSIONS IN INCHES AND [mm] SHOWN ARE NOMINAL AND SUBJECT TO CHANGE.  
 FOR CRITICAL SPECIFICATIONS CONTACT NATIONAL HARDWARE CUSTOMER SUPPORT.  
 ©2020 SPECTRUM BRANDS, INC. ALL RIGHTS RESERVED

FINISH CONFORMS TO ANSI/BHMA A156.11 TYPE E07262,  
 24 HOUR SALT SPRAY EXPOSURE PER A156.18.