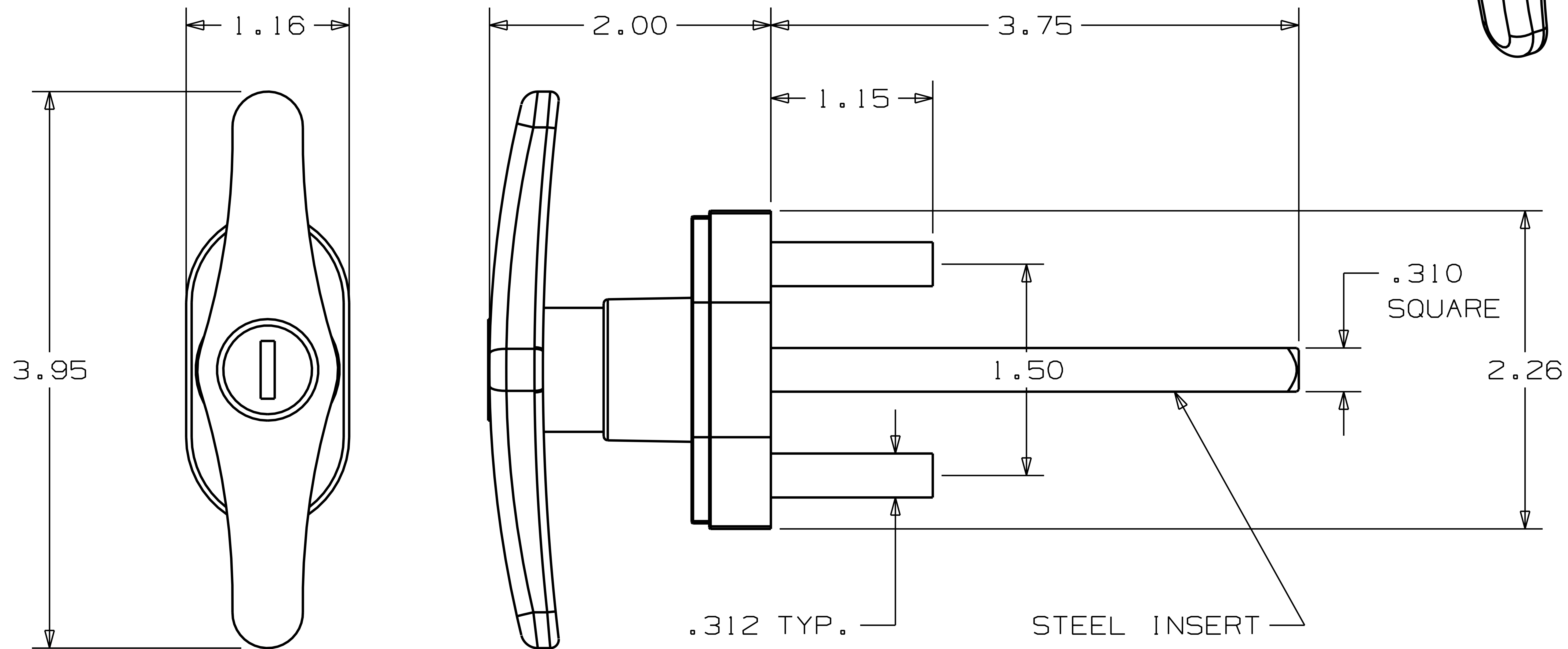
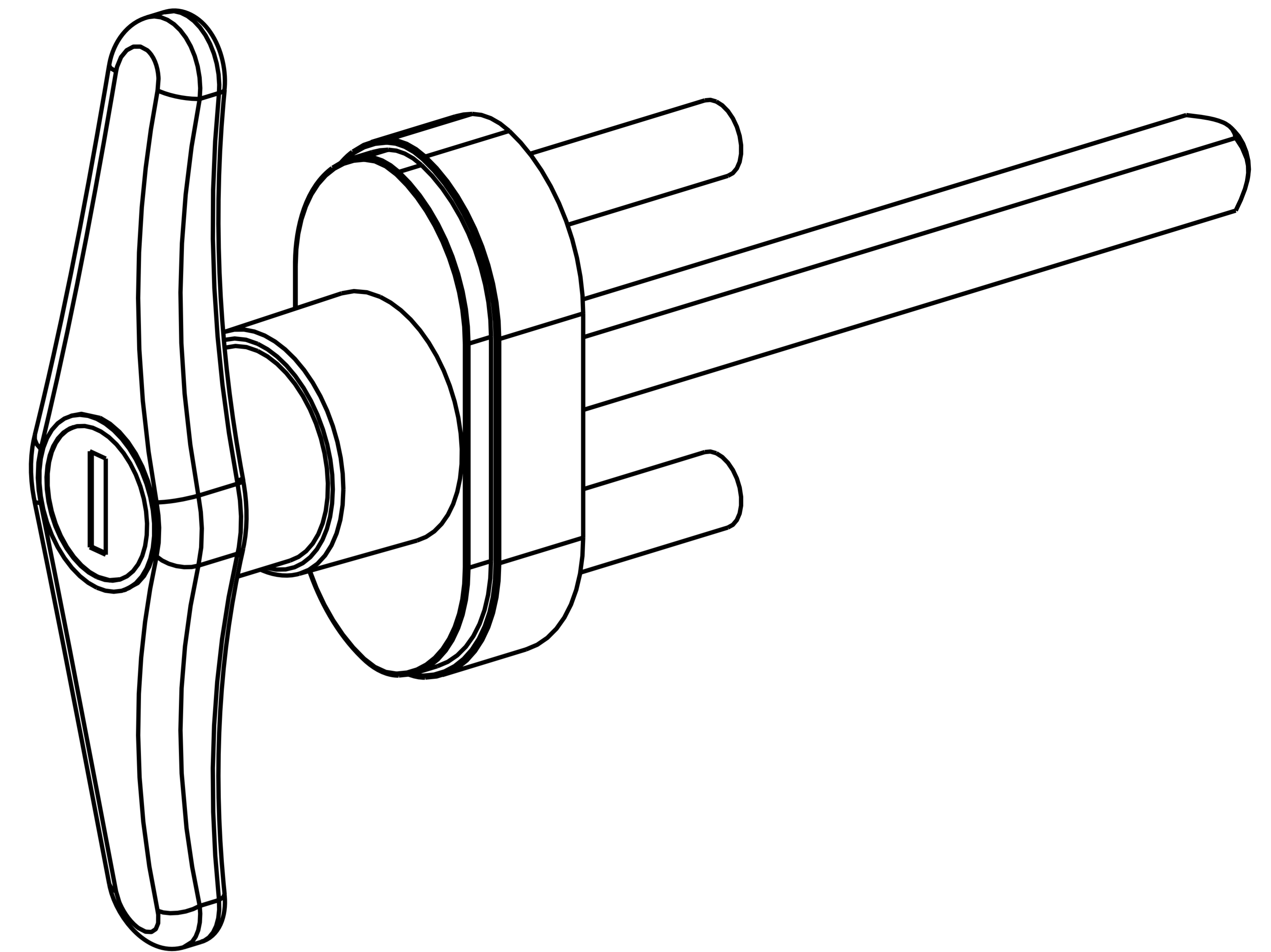


NOTES:

- 1) MATERIAL ZINC DIE CAST.
- 2) TWO KEYS SUPPLIED.
- 3) HANDLE SHOWN IN LOCK POSITION ROTATES 90 DEGREES.
- 4) BAGGED HARDWARE TO INCLUDE:  
 (2) #10 X 3/4 PHILLIPS PAN HEAD  
 MACHINE SCREWS AND (1) RETAINER WASHER.



REV	C.O.	CHG	DATE	DESCRIPTION
<b>NATIONAL MANUFACTURING CO.</b>				
ONE FIRST AVE. P.O. BOX 577 STERLING, IL 61081				
DESCRIPTION:				
DRAWN		DATE		TOLERANCE
CHECKED		DATE		UNLESS OTHERWISE SPECIFIED
				.0000 ±
				.000 ±
DEPT		BLDG		.00 ±
W/C NO.		ASSET NO.		ANGULAR ±
SCALE		CO NO.		
MAT'L		HARDNESS (Rc)		REQ'D
PART NAME				
PART NUMBER				
DWG. NUMBER				