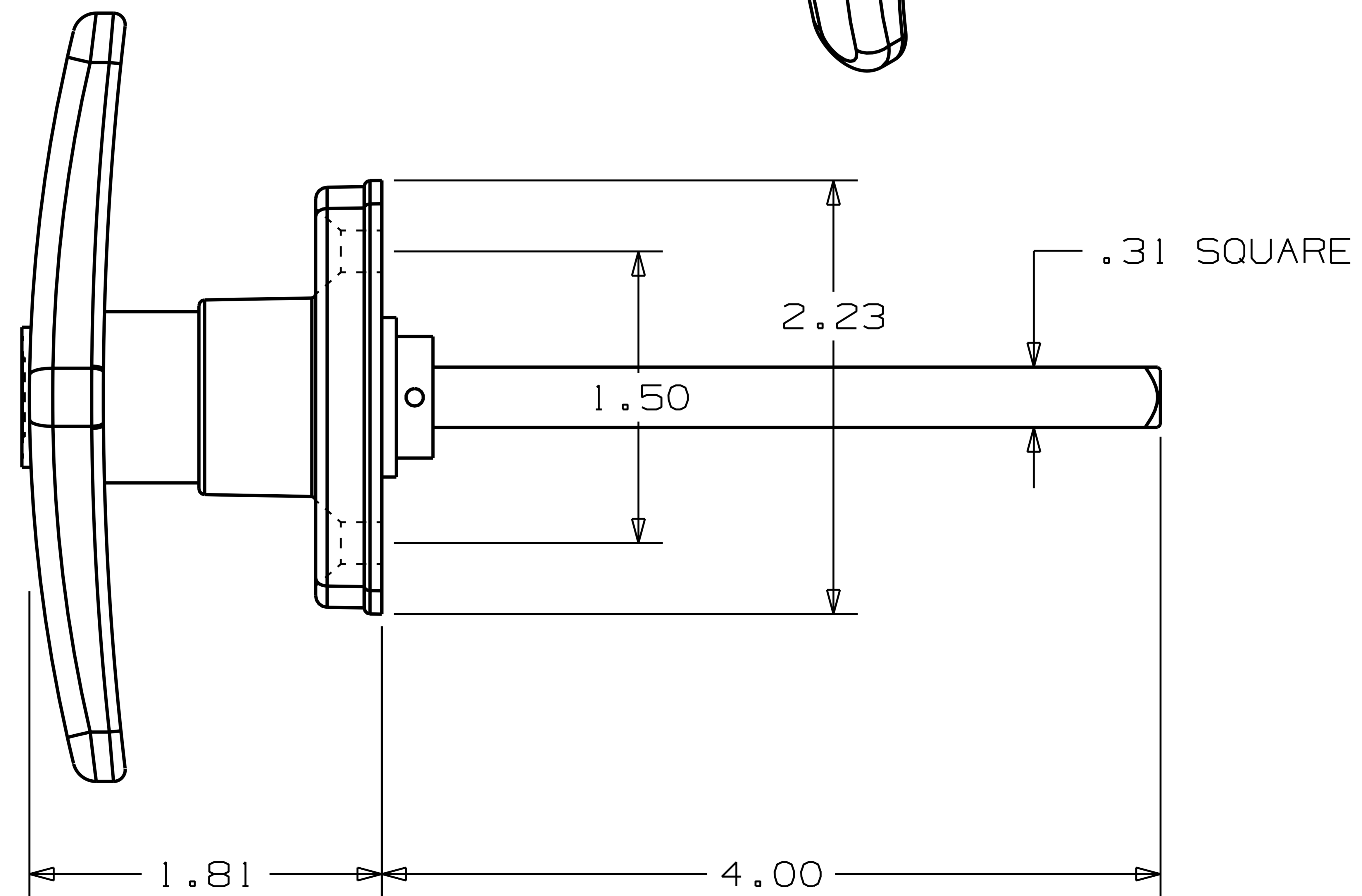
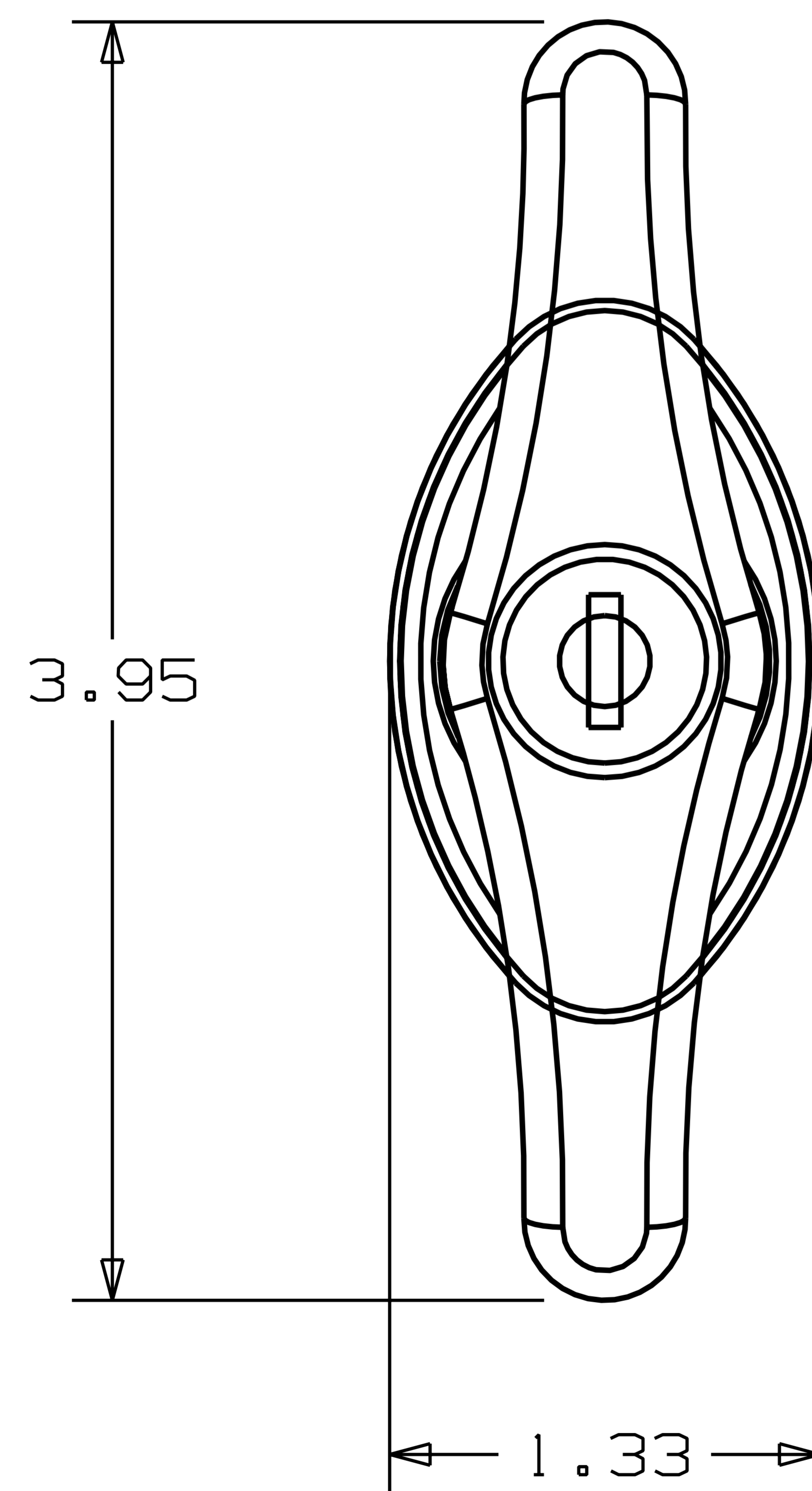
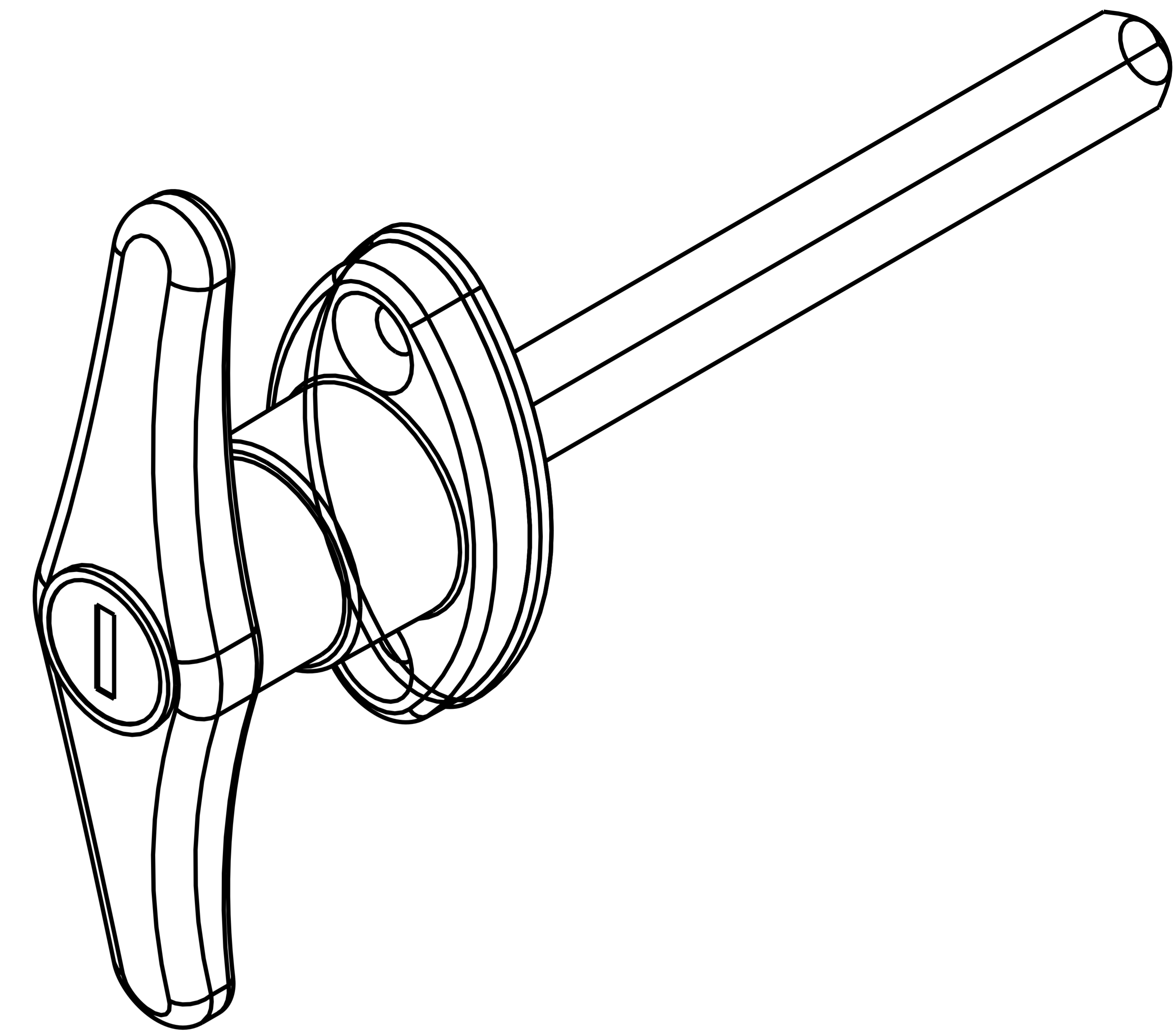


NOTES:

- 1) MATERIAL ZINC DIE CAST.
- 2) TWO KEYS SUPPLIED.
- 3) HANDLE SHOWN IN LOCK POSITION  
ROTATES 90 DEGREES.



TextDimensions shown are nominal and subject to change. For critical design specification, contact [techinfo@natman.com](mailto:techinfo@natman.com)  
©2008 National Manufacturing Co.