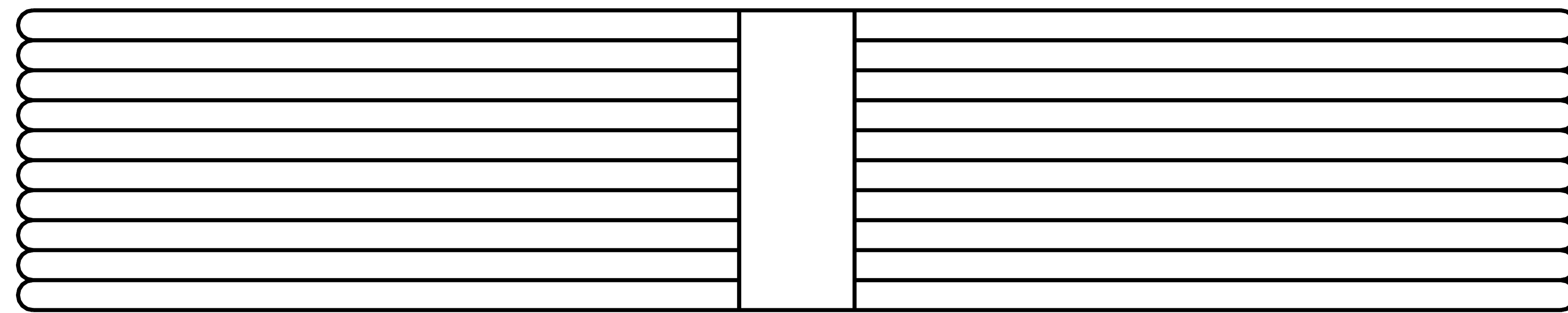
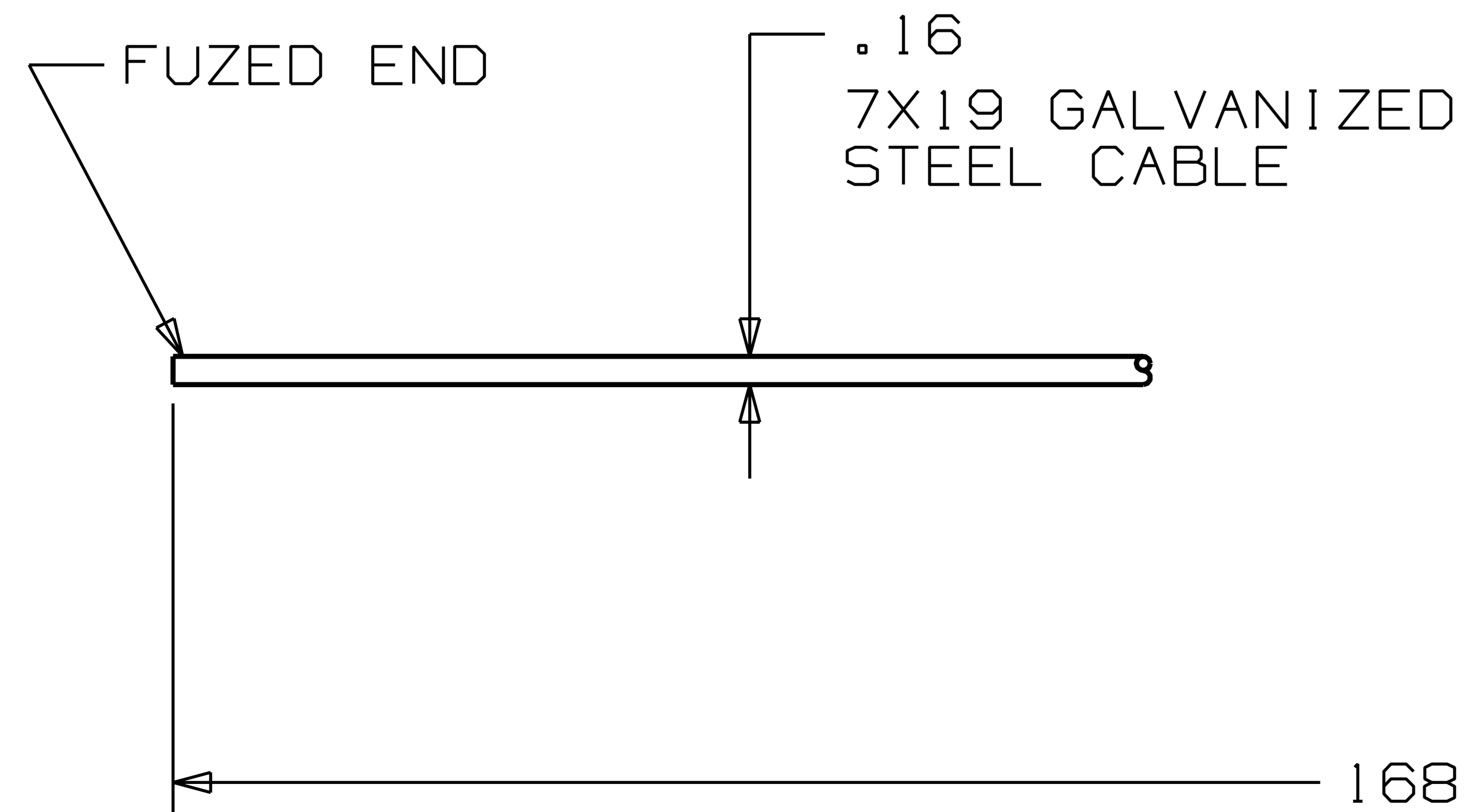
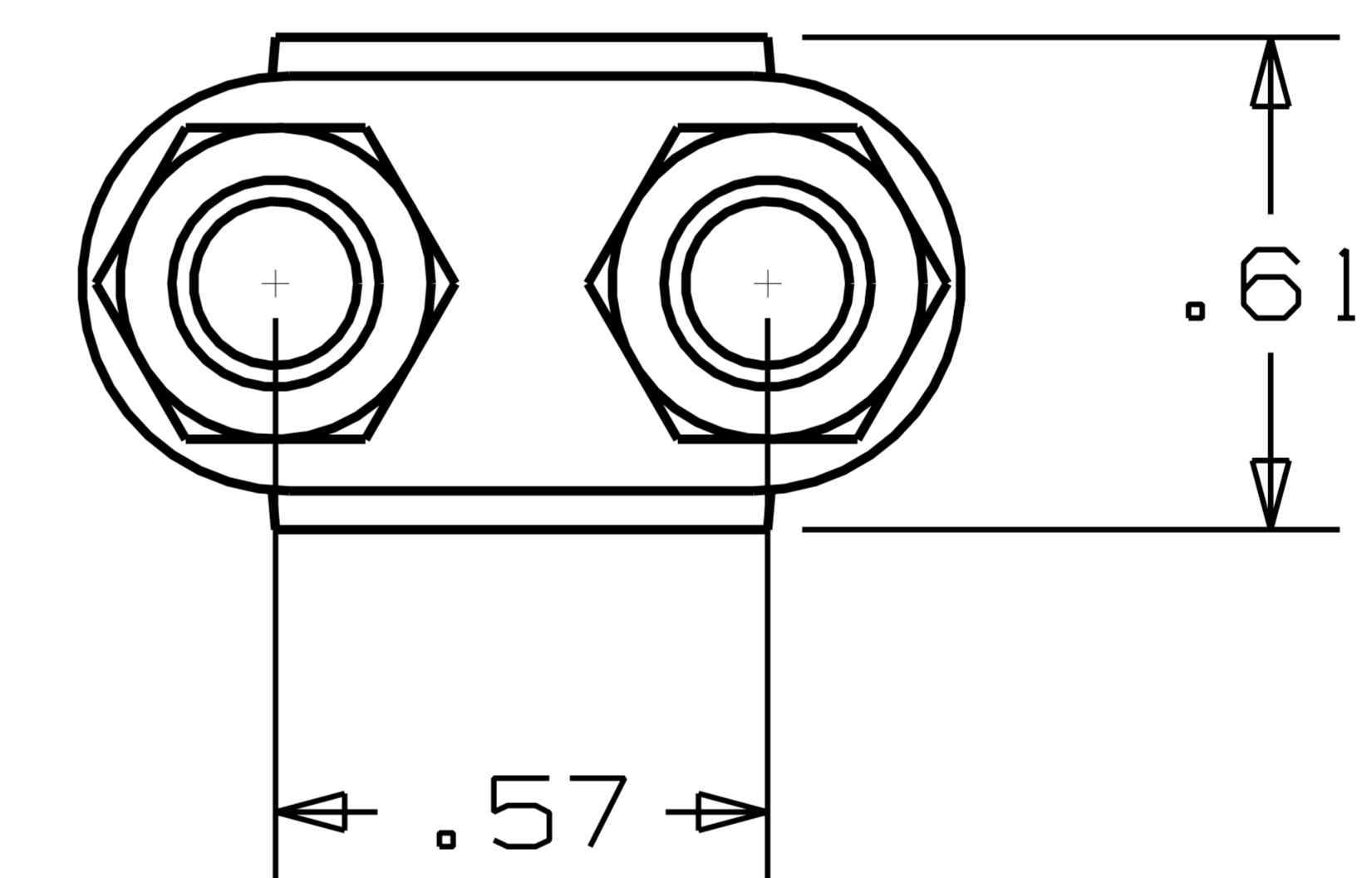
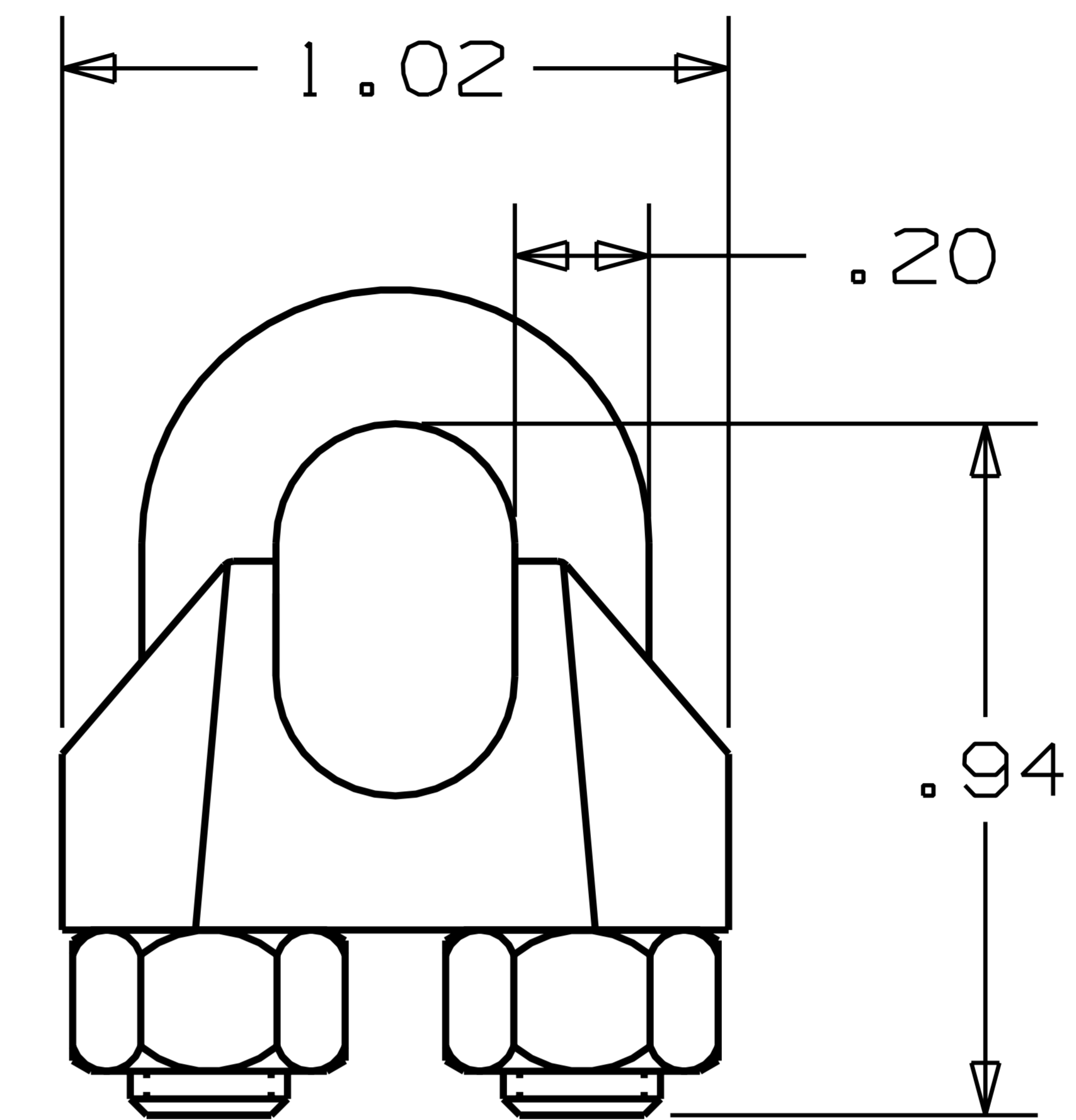
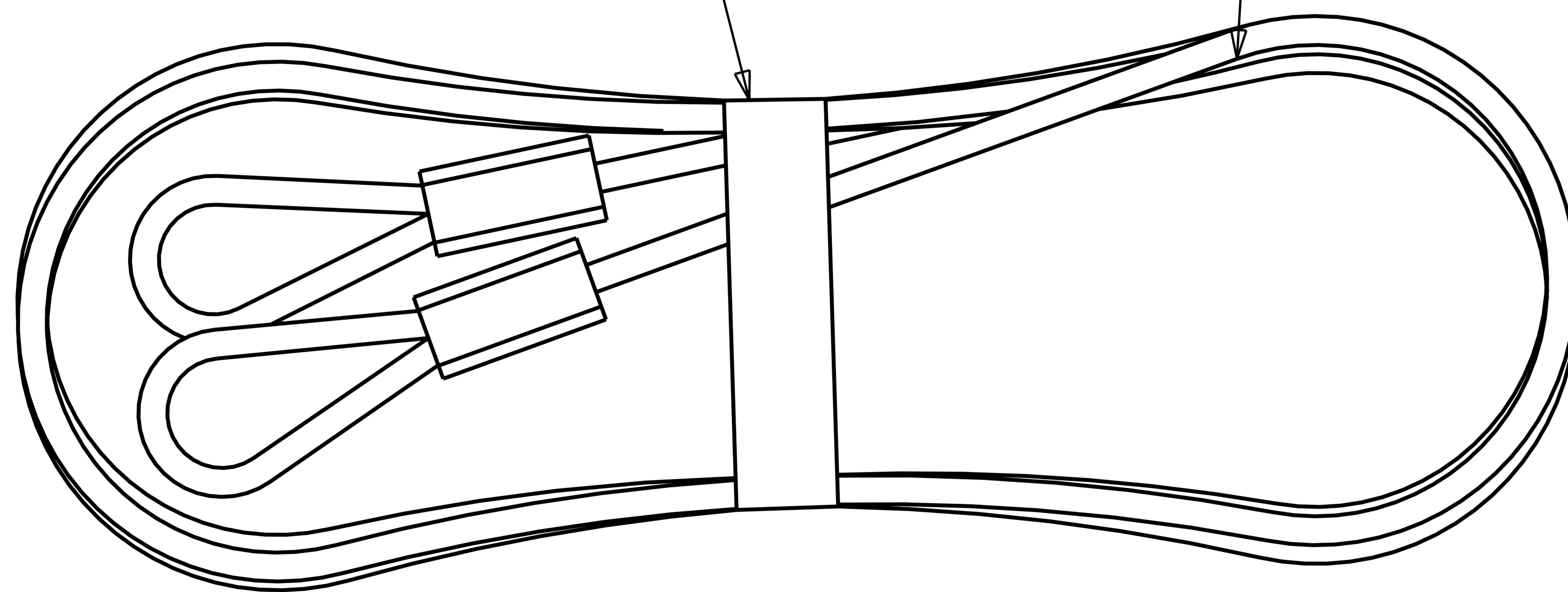


TextDimensions shown are nominal and subject to change. For critical design specification, contact techinfo@natman.com
©2007 National Manufacturing Co.

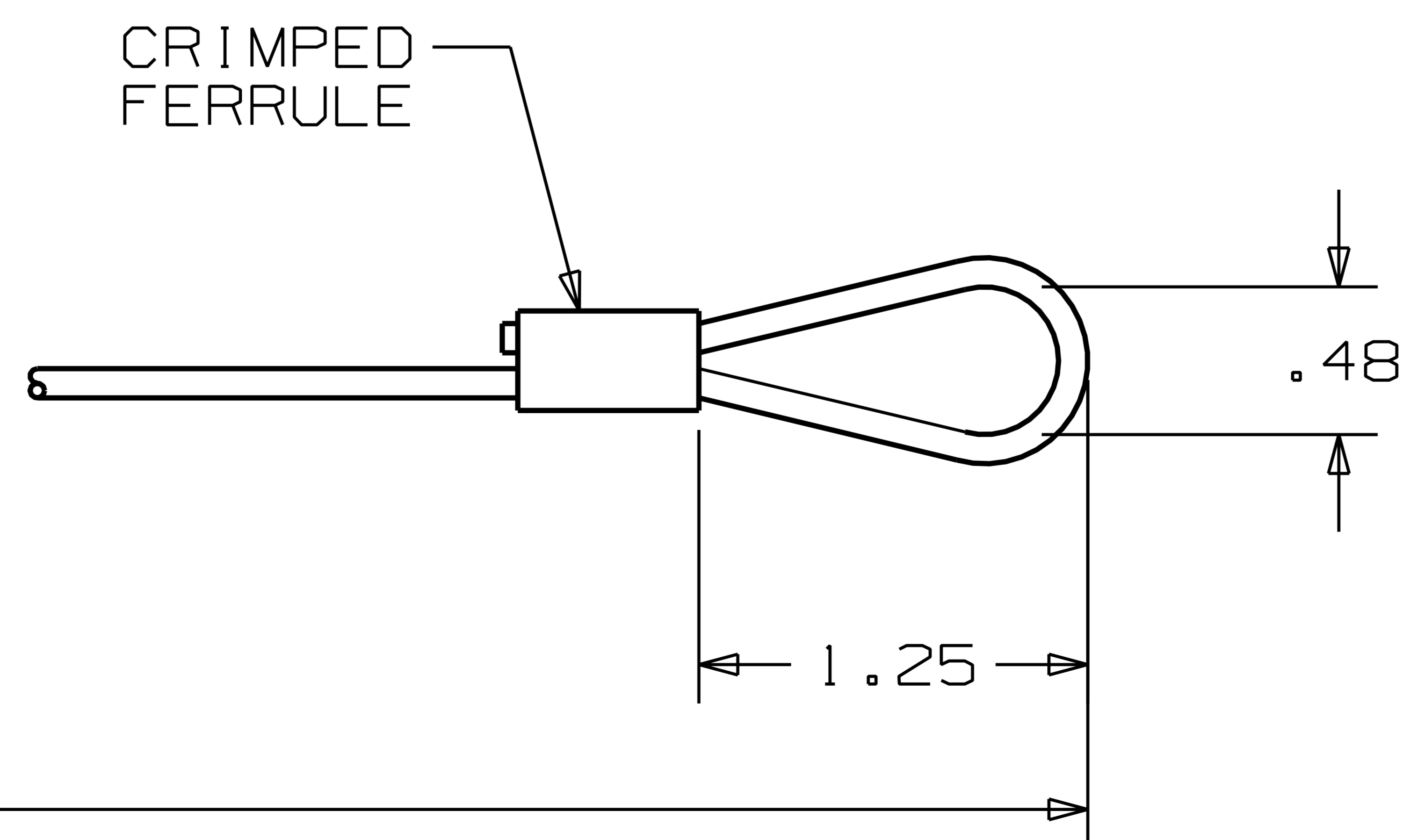


PLASTIC STRAPPING

TWO CABLES AND TWO CLAMPS INCLUDED IN PACKAGE



.16
7X19 GALVANIZED
STEEL CABLE



CRIMPED
FERRULE

N7617514