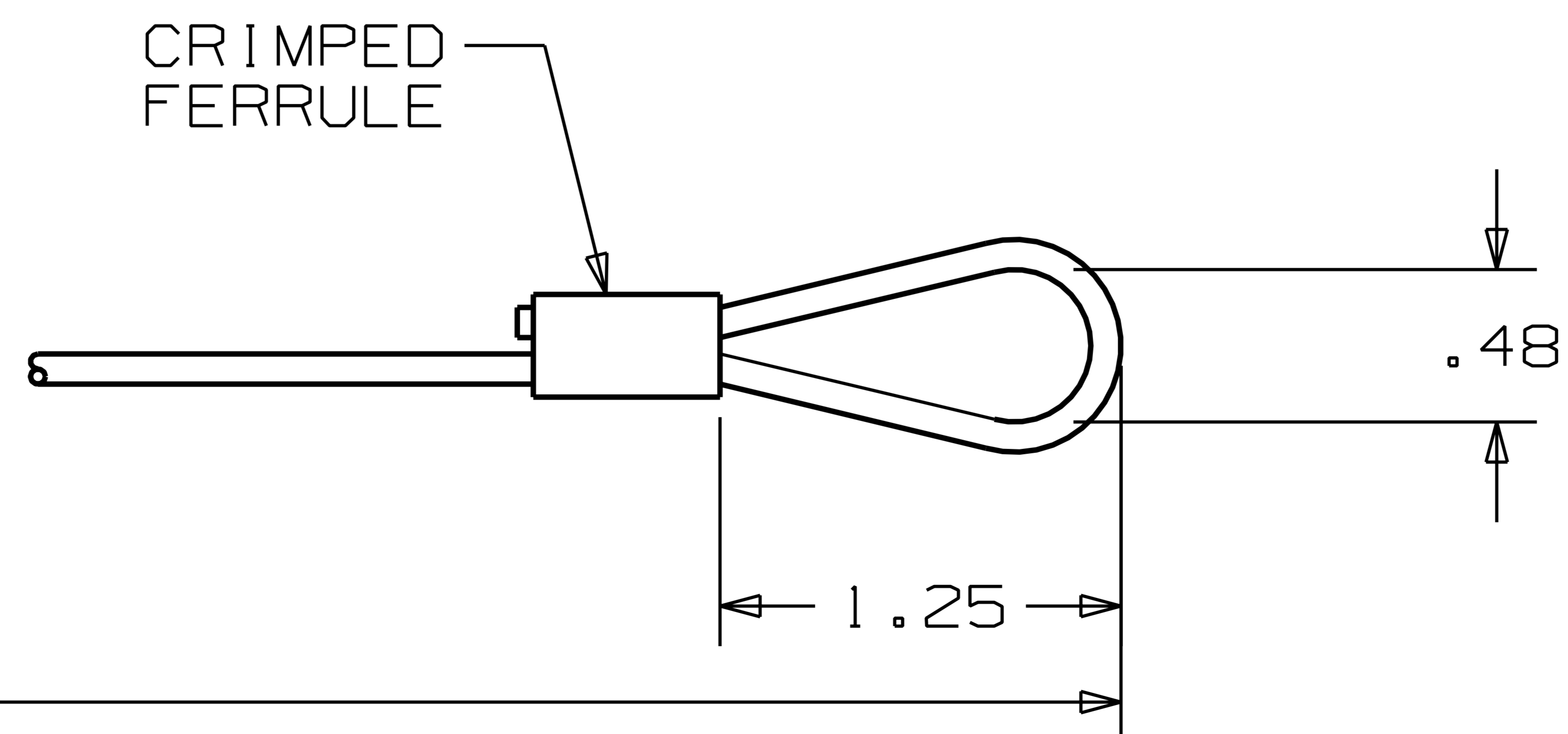
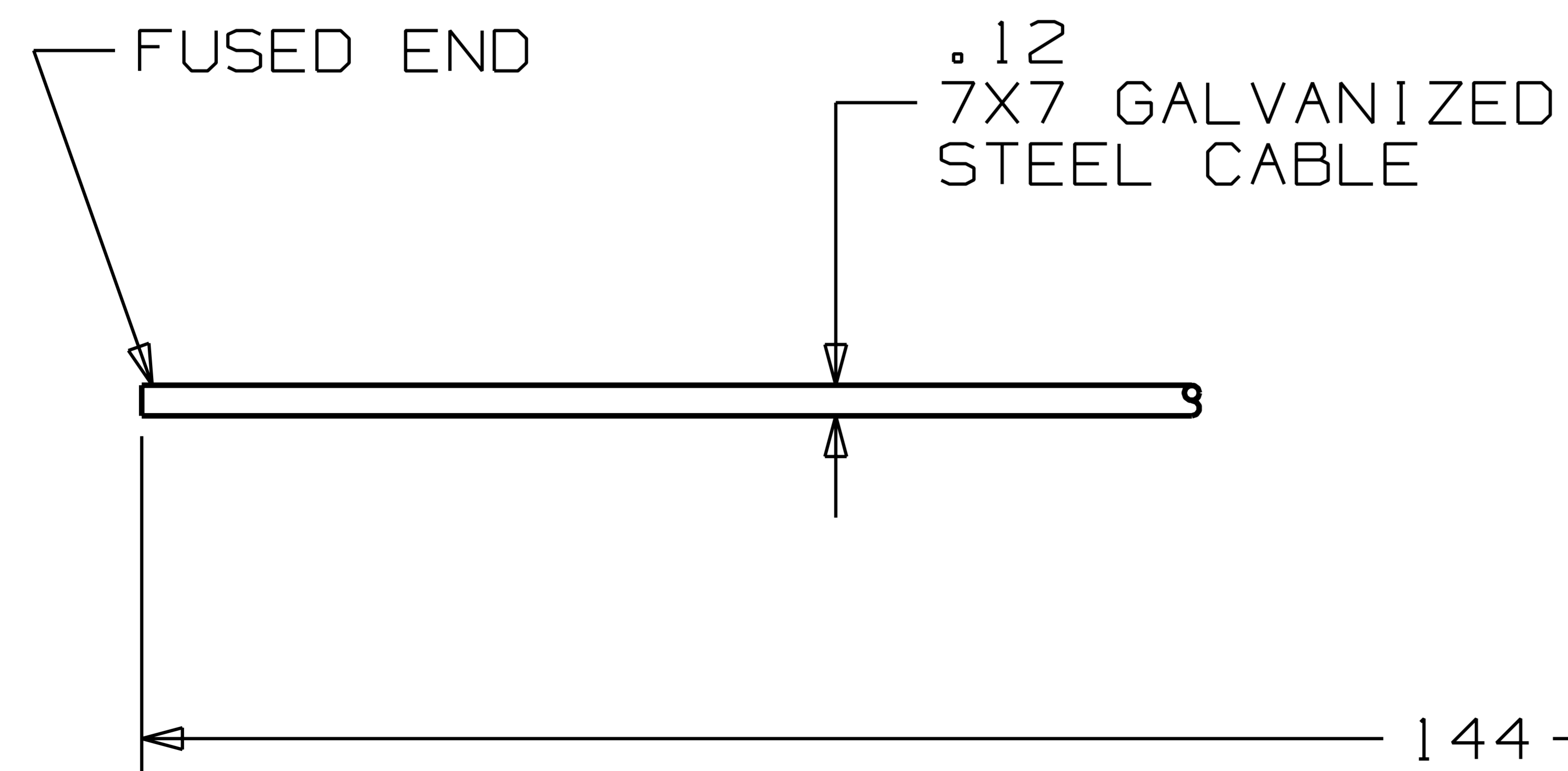
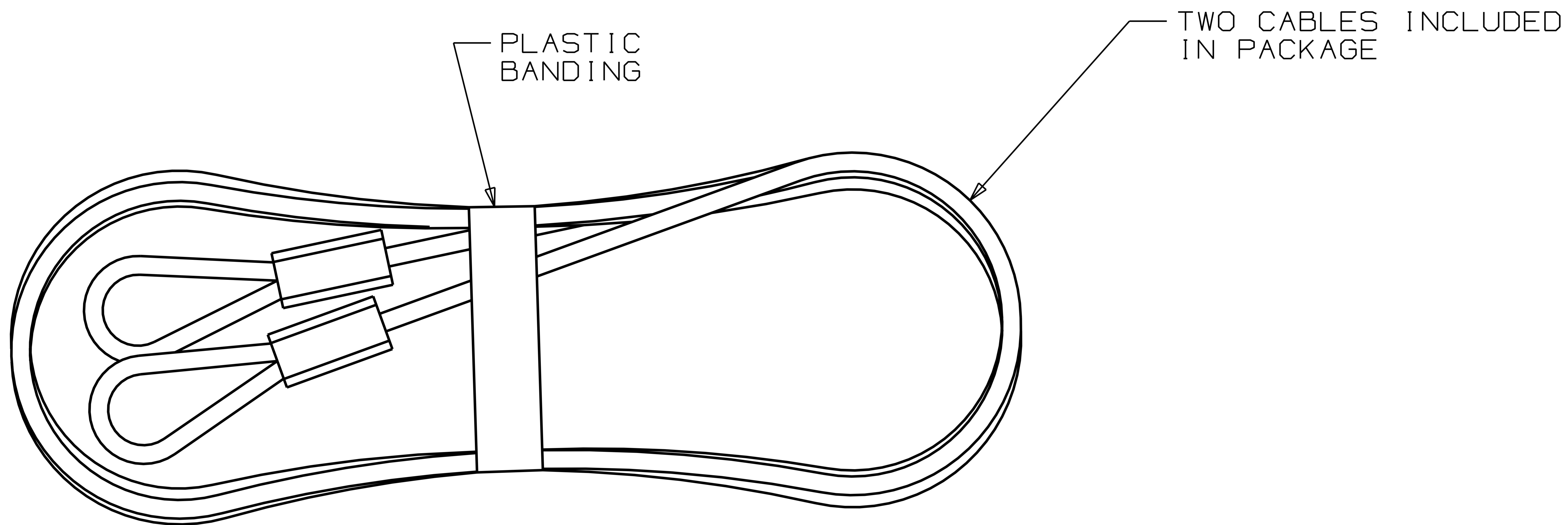
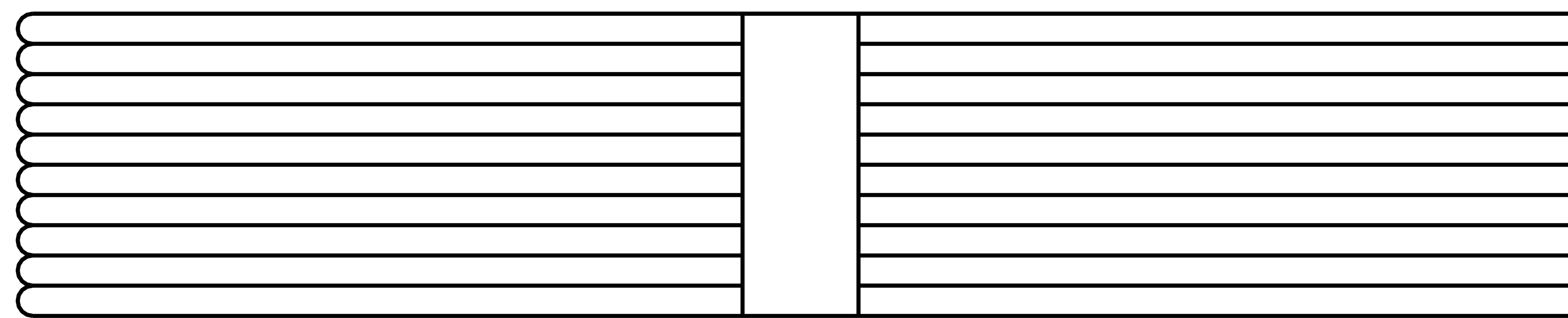


TextDimensions shown are nominal and subject to change. For critical design specification, contact techinfo@natman.com
©2007 National Manufacturing Co.



N7617B12