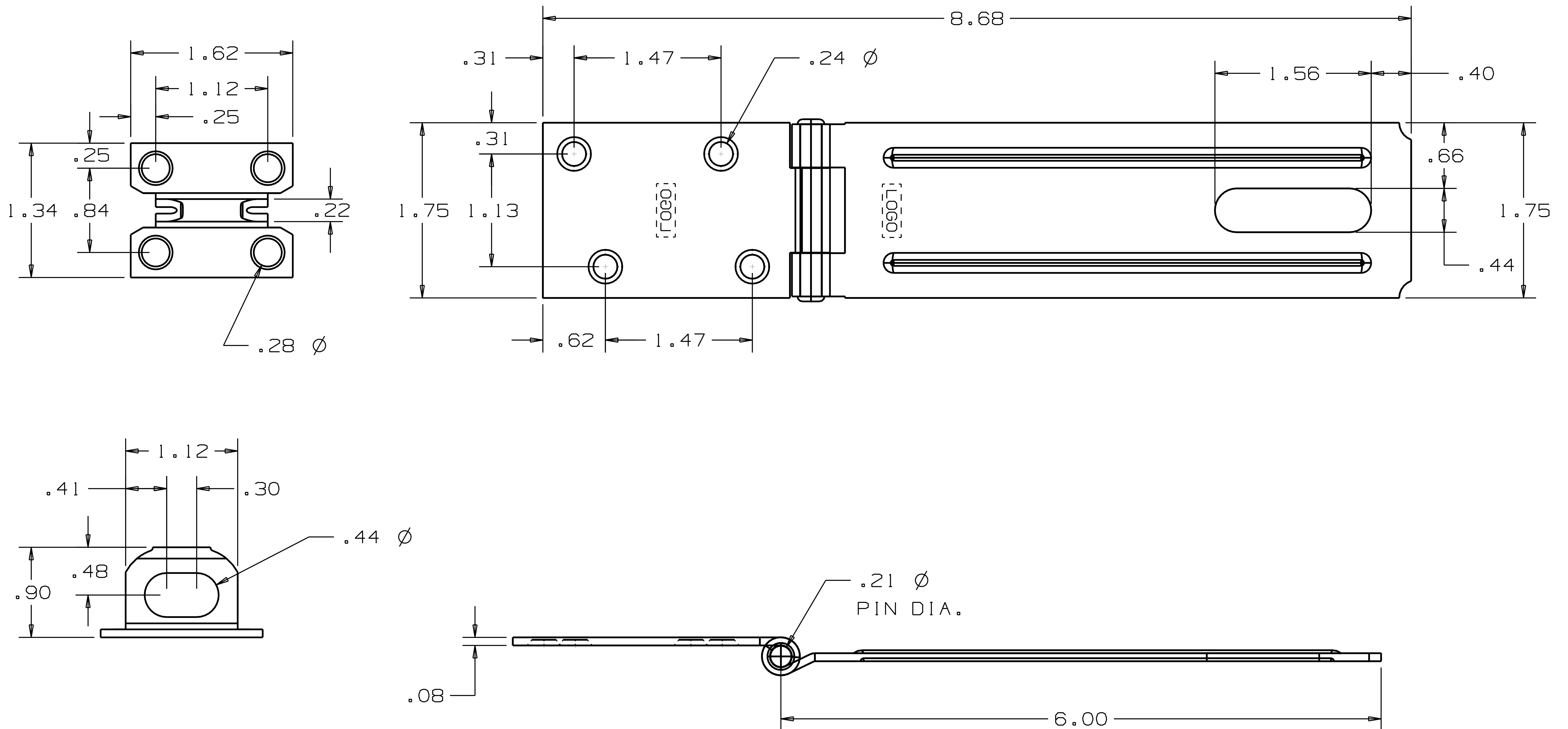


S915/N30



Dimensions shown are nominal and subject to change. For critical design specification, contact techinfo@natman.com
©2009 National Manufacturing Co.