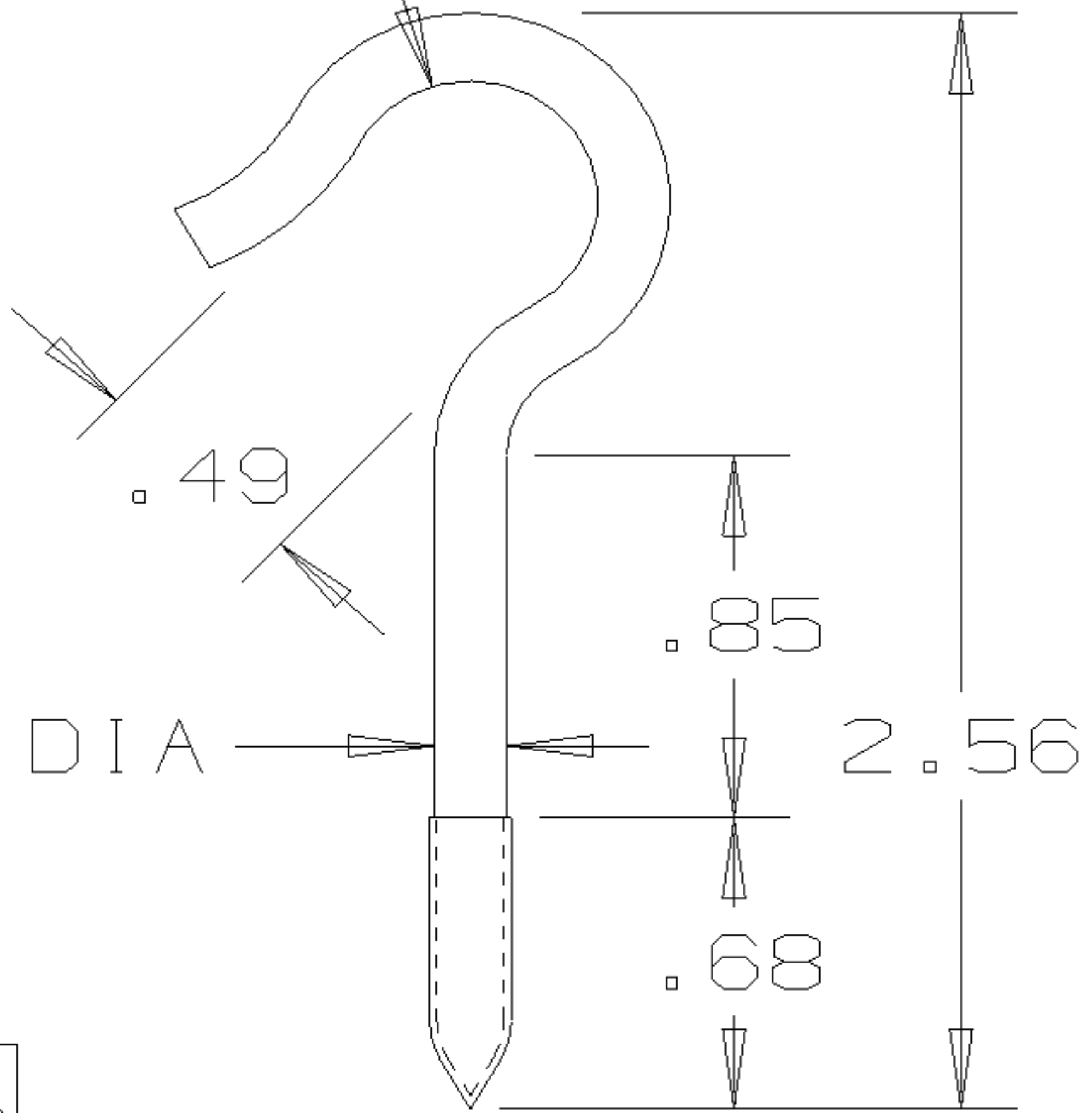


.56 DIA



.49

.16 DIA

.85

2.56

.68

Dimensions shown are nominal and subject to change. For critical design specification, contact techinfo@natman.com
©2000 National Manufacturing Co.