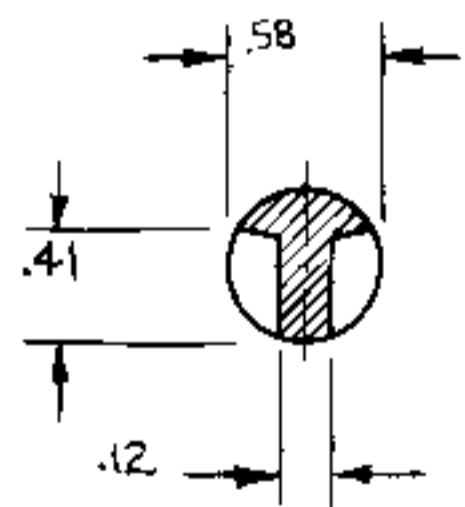
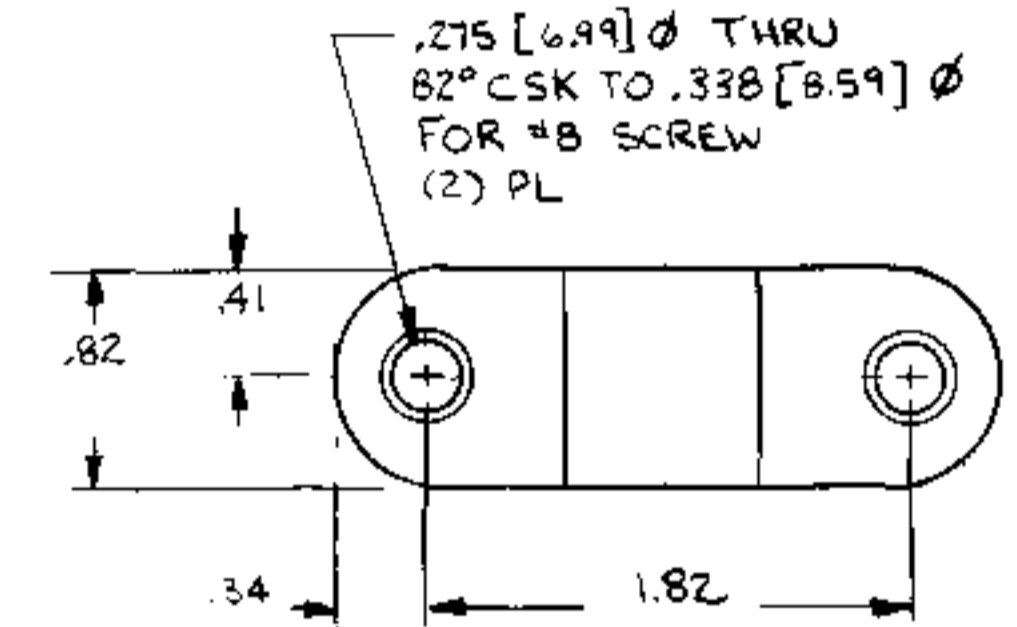
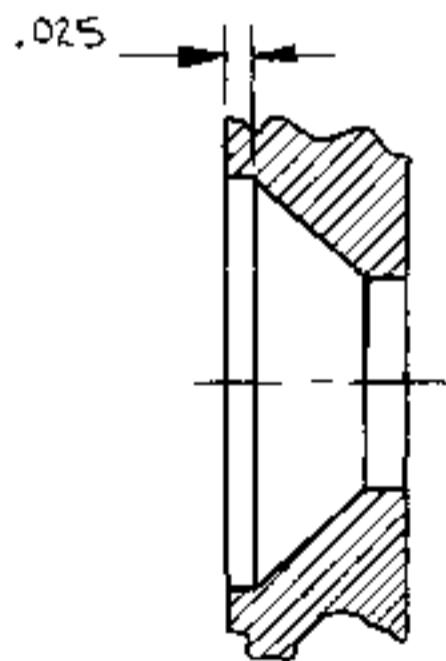


SECTION B-B

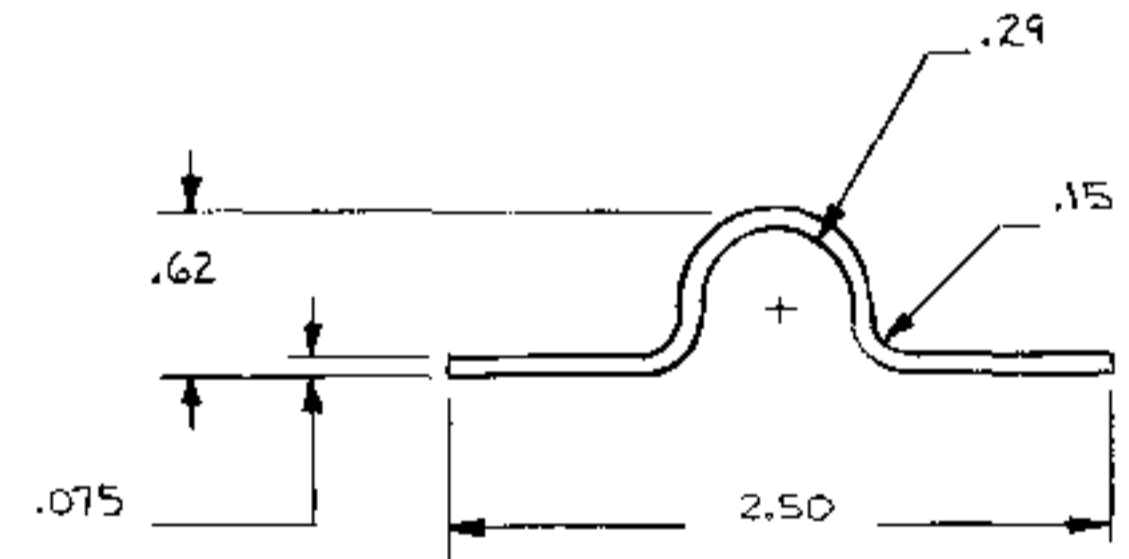
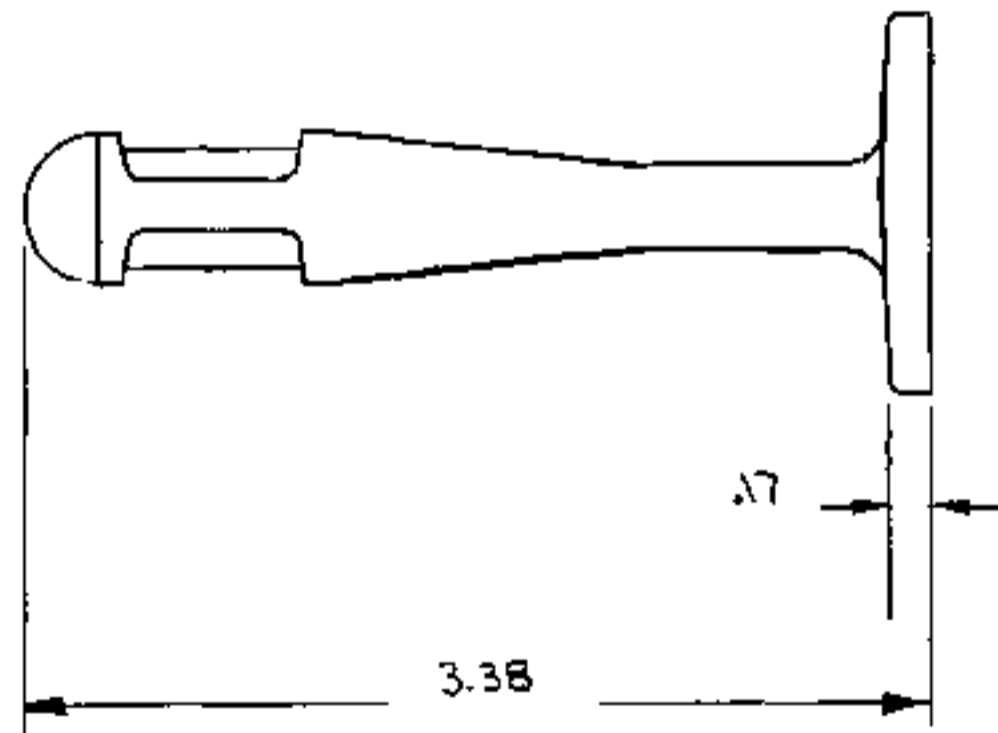
.221 [5.6] \varnothing THRU
 82° CSK TO .38 [9.65] \varnothing
 (3) PL. FOR #10 OVAL HEAD SCREW
 (NOTE - 82° CSK IS RECESSED
 BELOW FLUSH .025 [.64] OPTIONAL.)



SECTION A-A



HOLE DETAIL
 SCALE: 4=1



Dimensions shown are nominal and subject to change. For critical design specification, contact techinfo@natman.com
 ©2000 National Manufacturing Co.