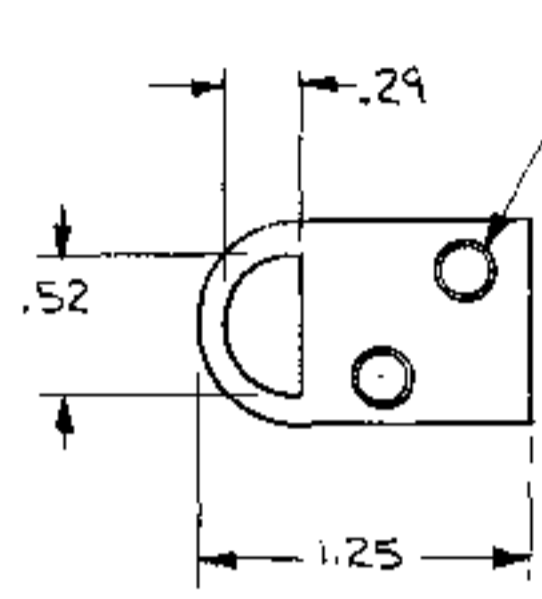
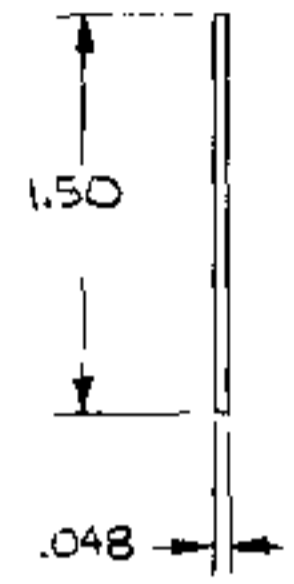
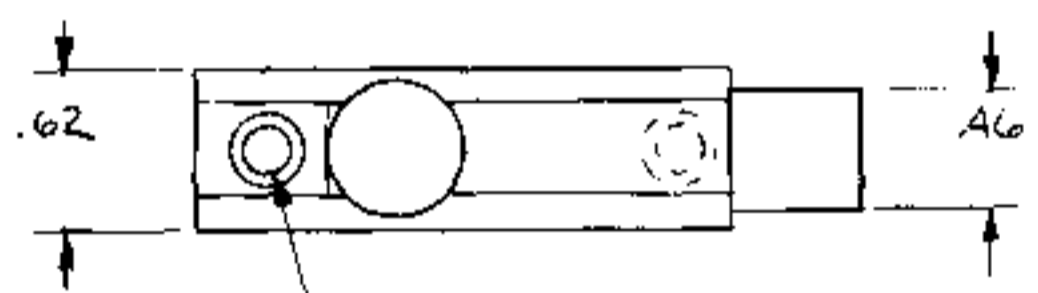
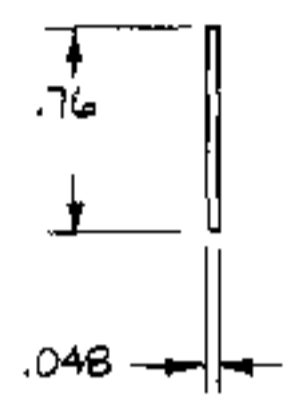


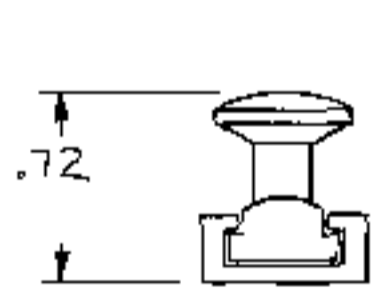
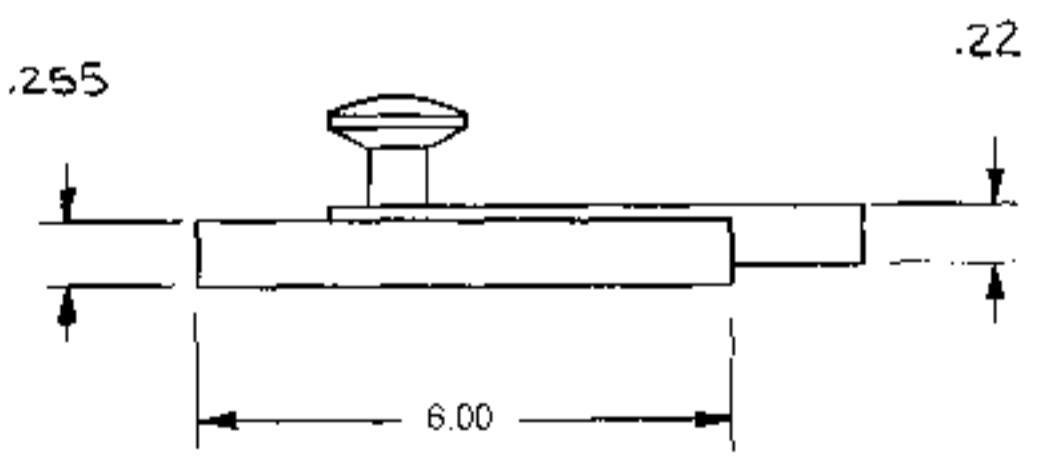
.154 Ø DRILL
 .256 ± .012 Ø X 82° CSK
 FOR NO. 5 SCREW.



.154 Ø DRILL
 .256 ± .012 Ø X 82° CSK
 FOR NO. 5 SCREW



.154 Ø DRILL
 .256 ± .012 Ø X 82° CSK
 FOR NO. 5 SCREW



Dimensions shown are nominal and subject to change. For critical design specification, contact techinfo@natman.com
 ©2000 National Manufacturing Co.