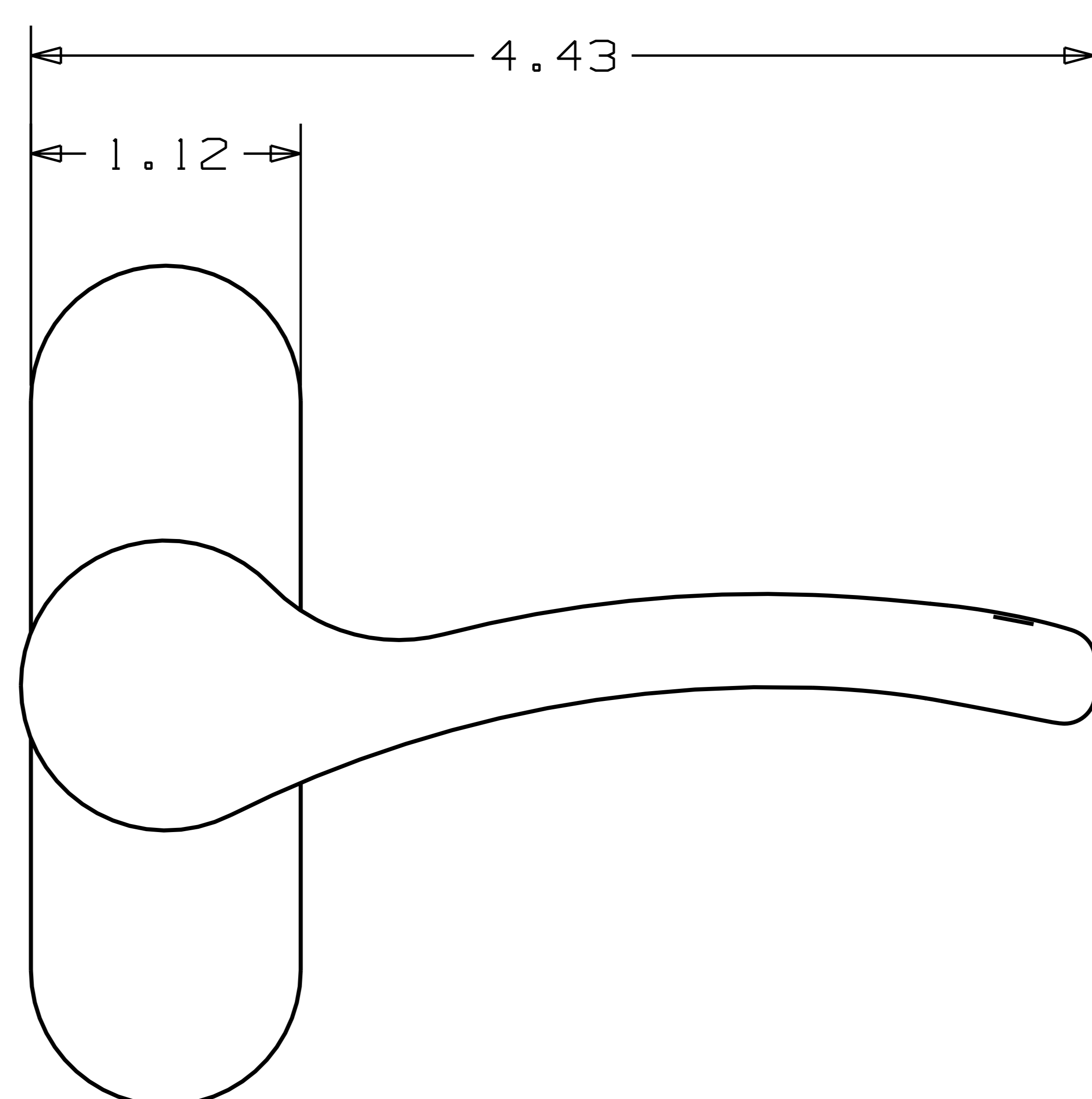
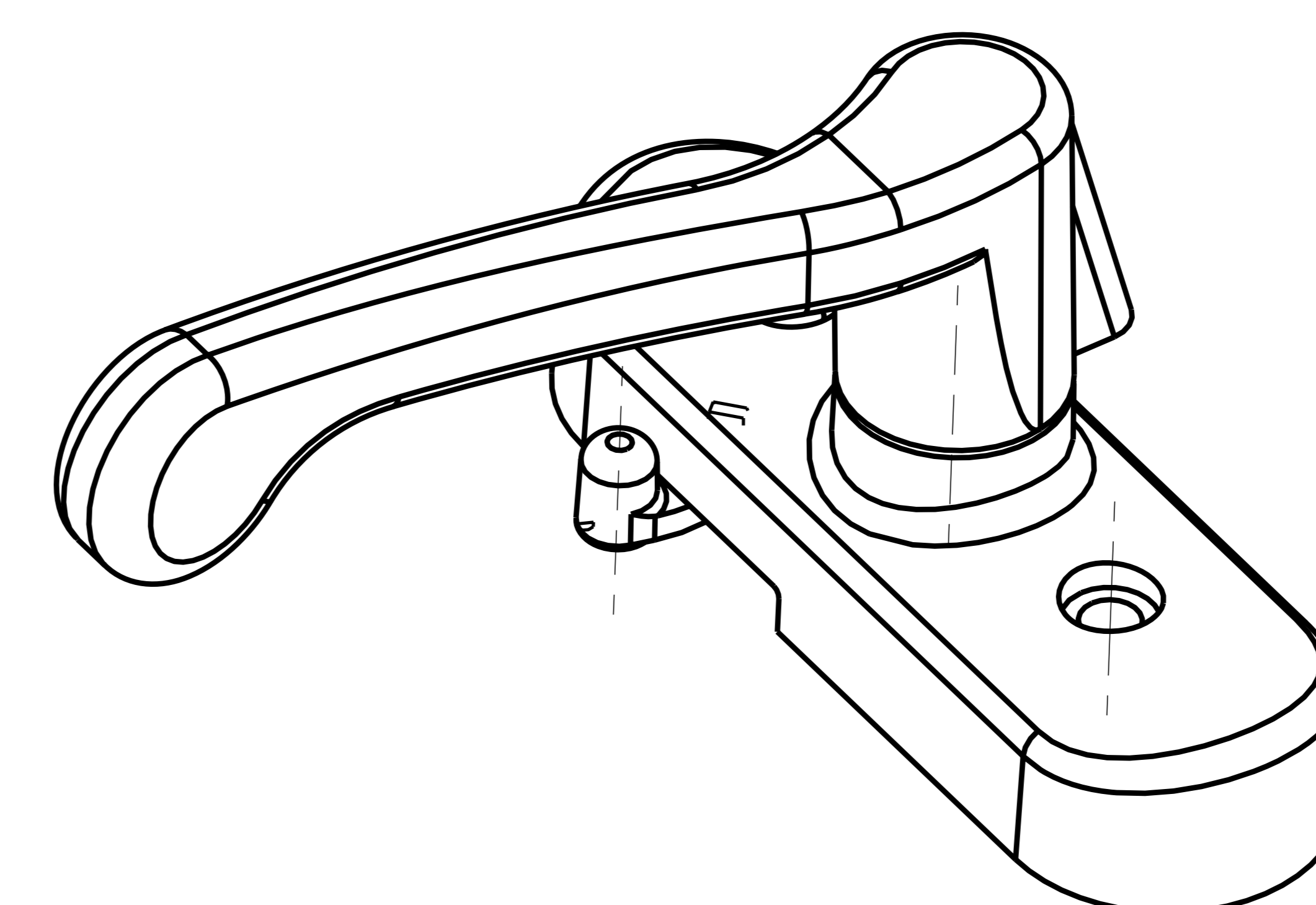
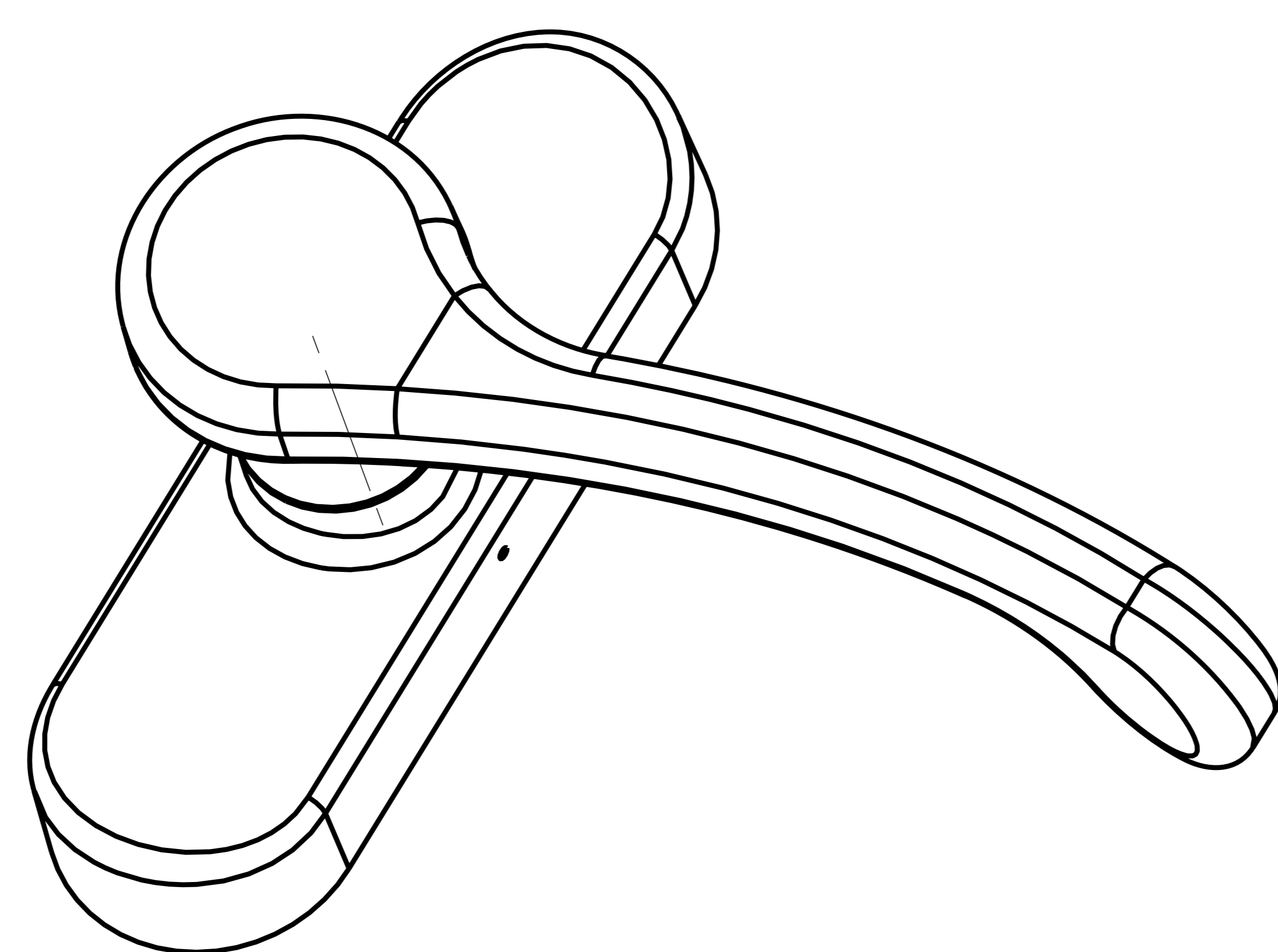
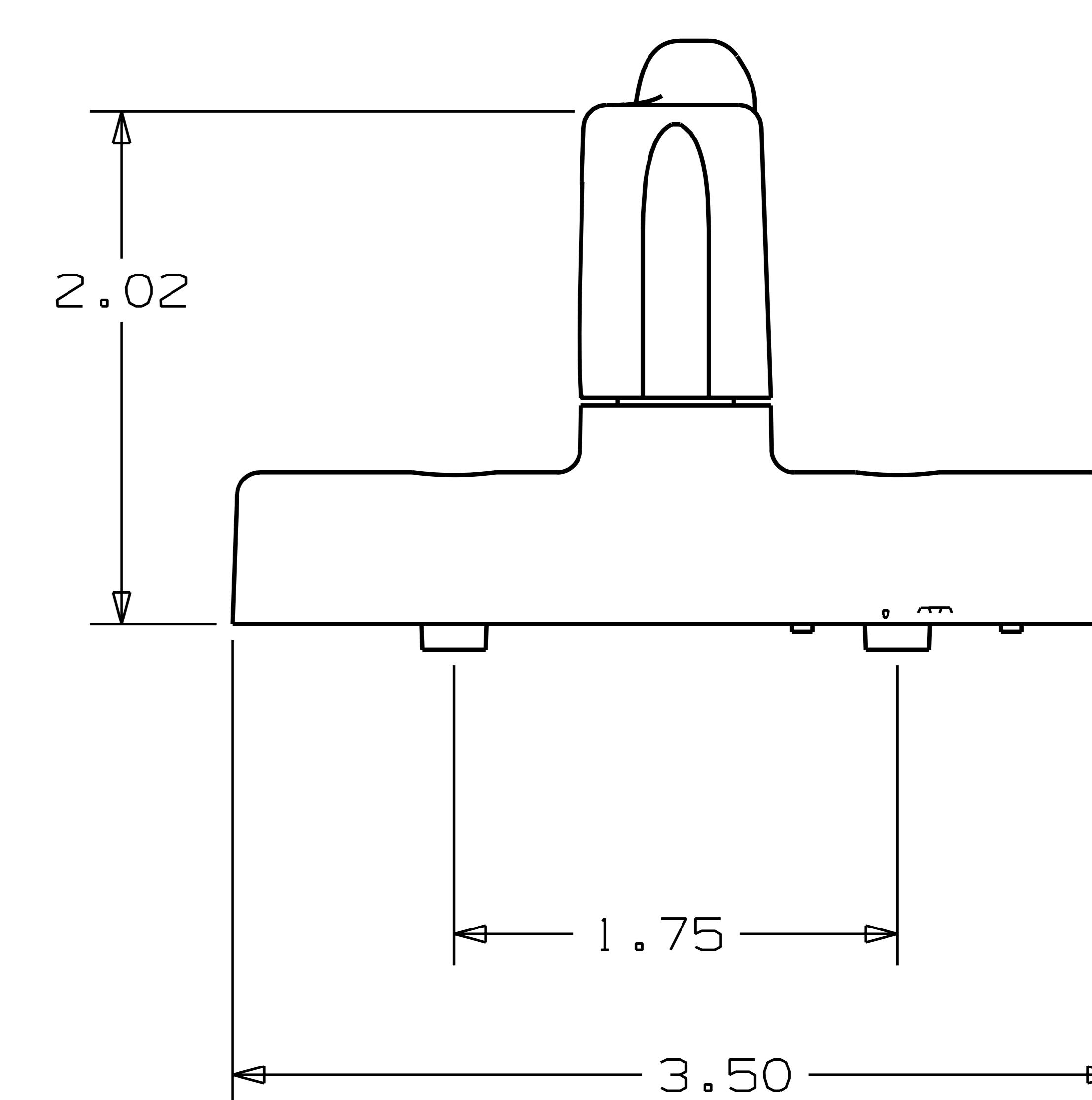
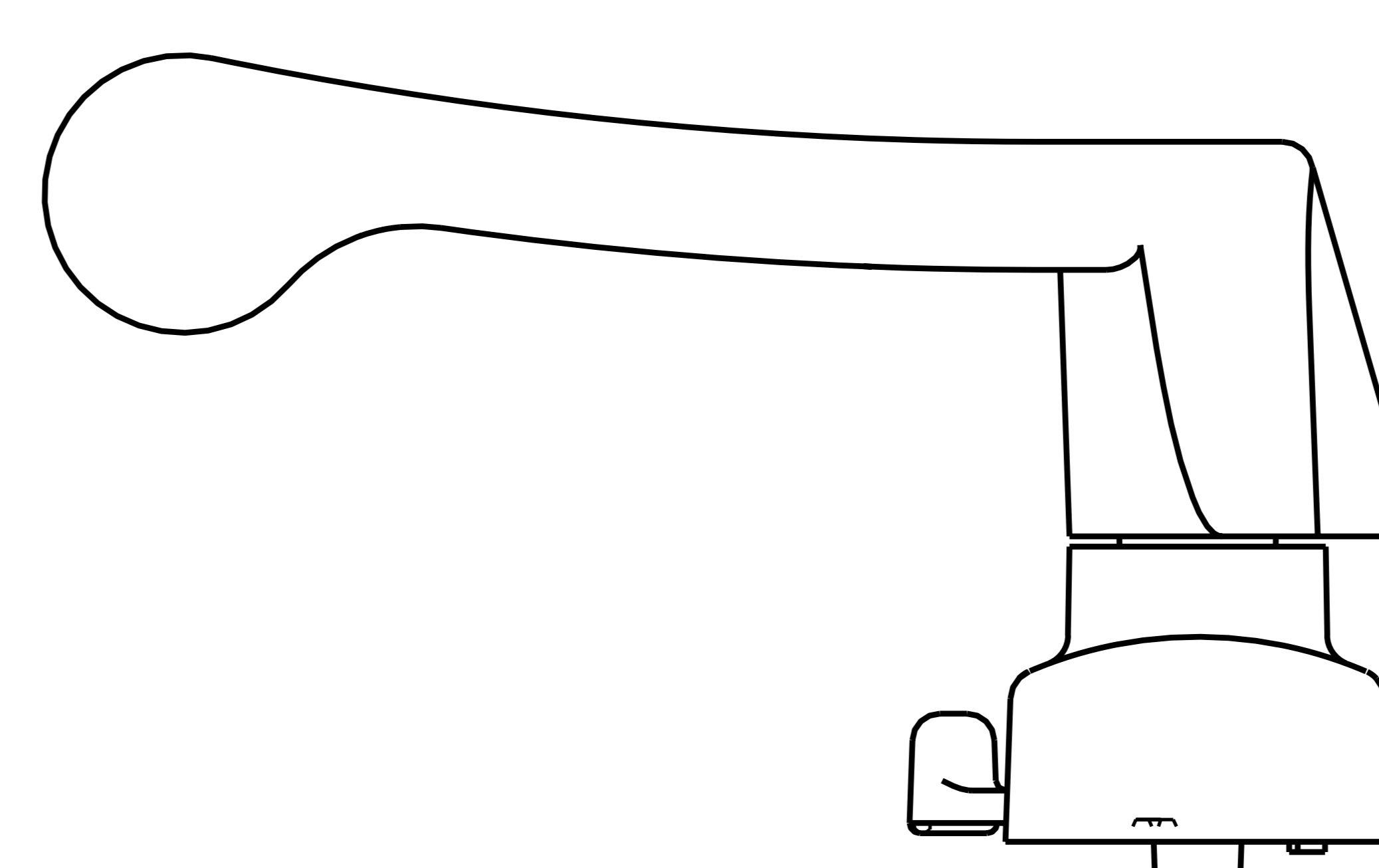
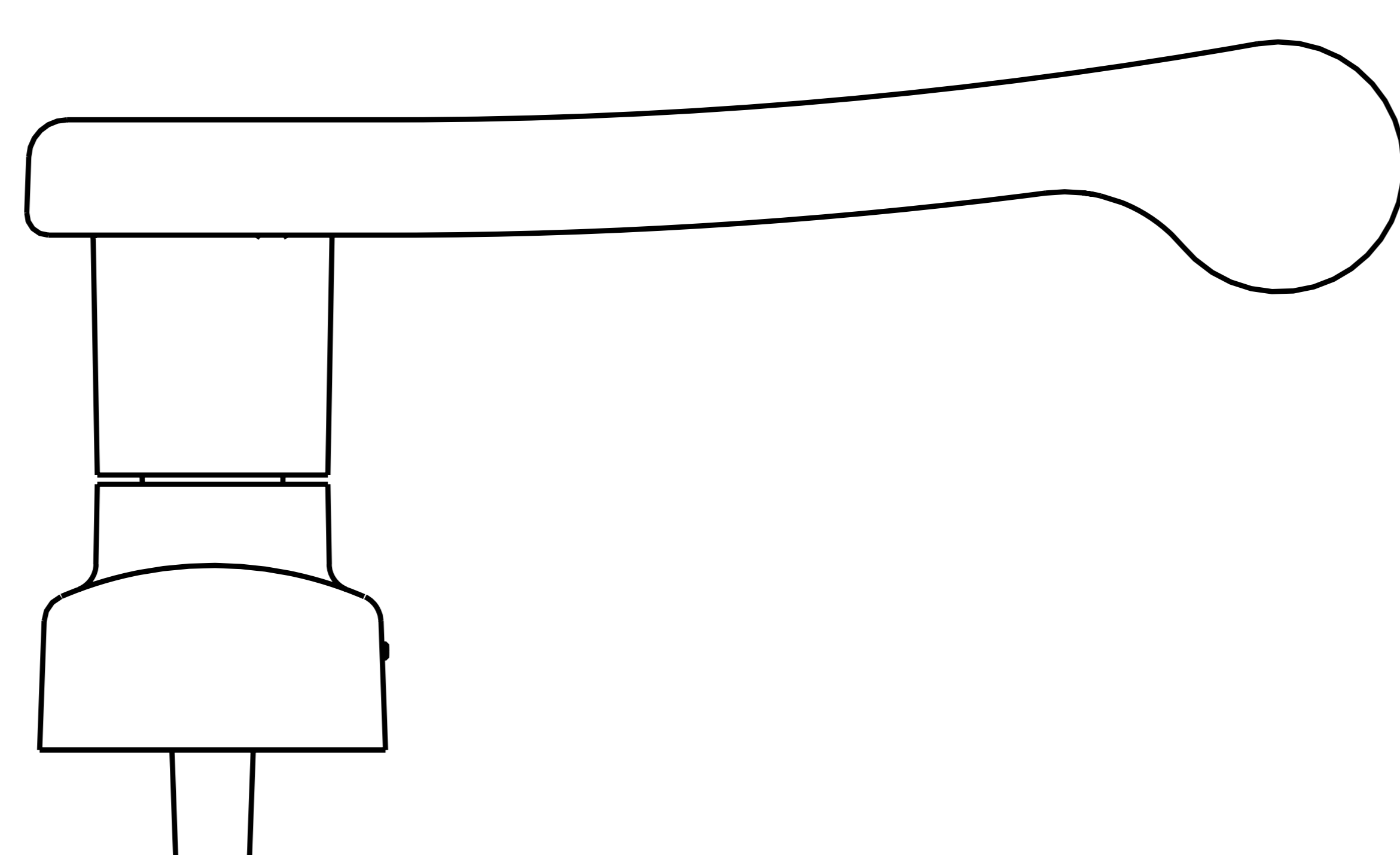
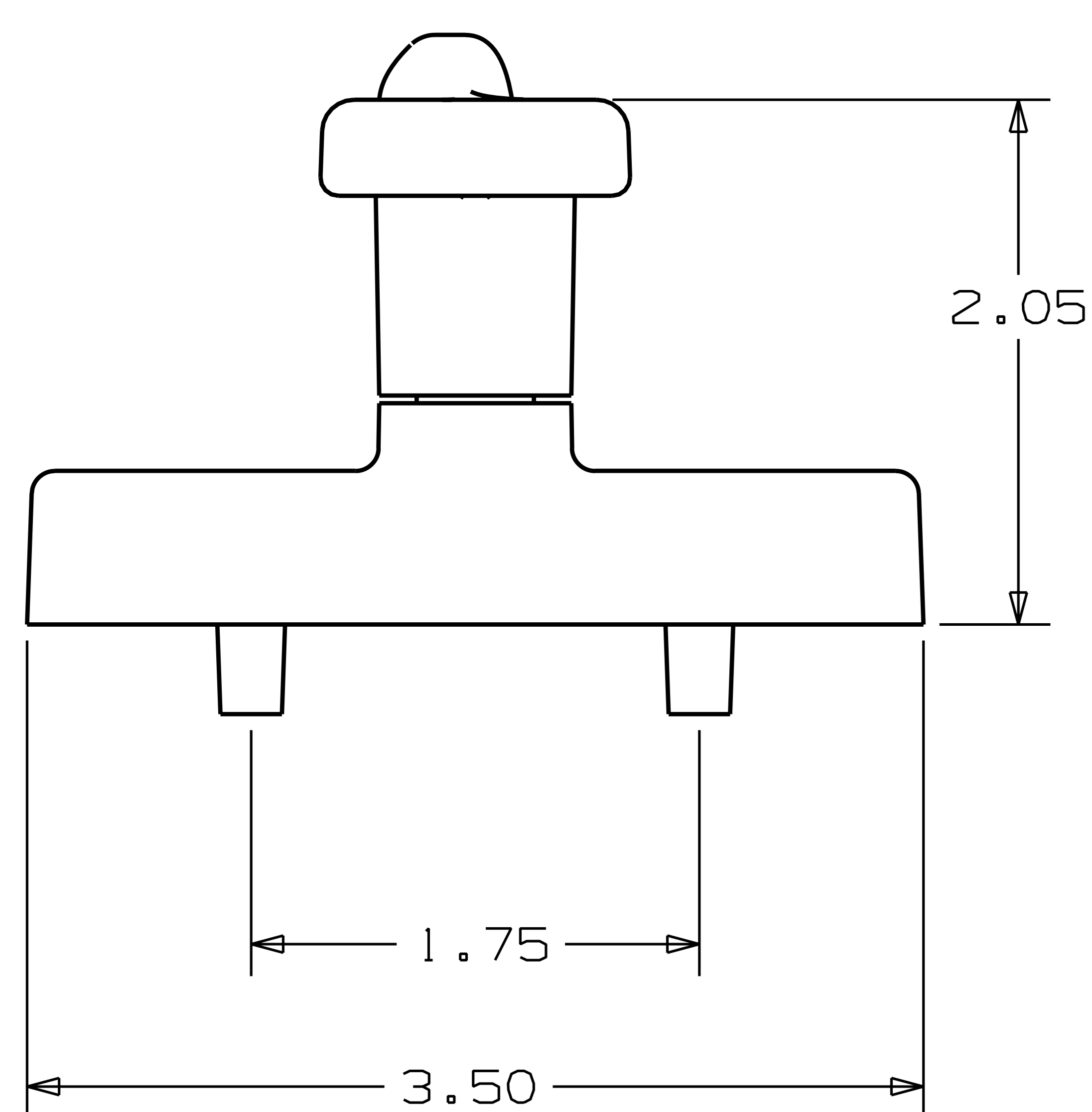
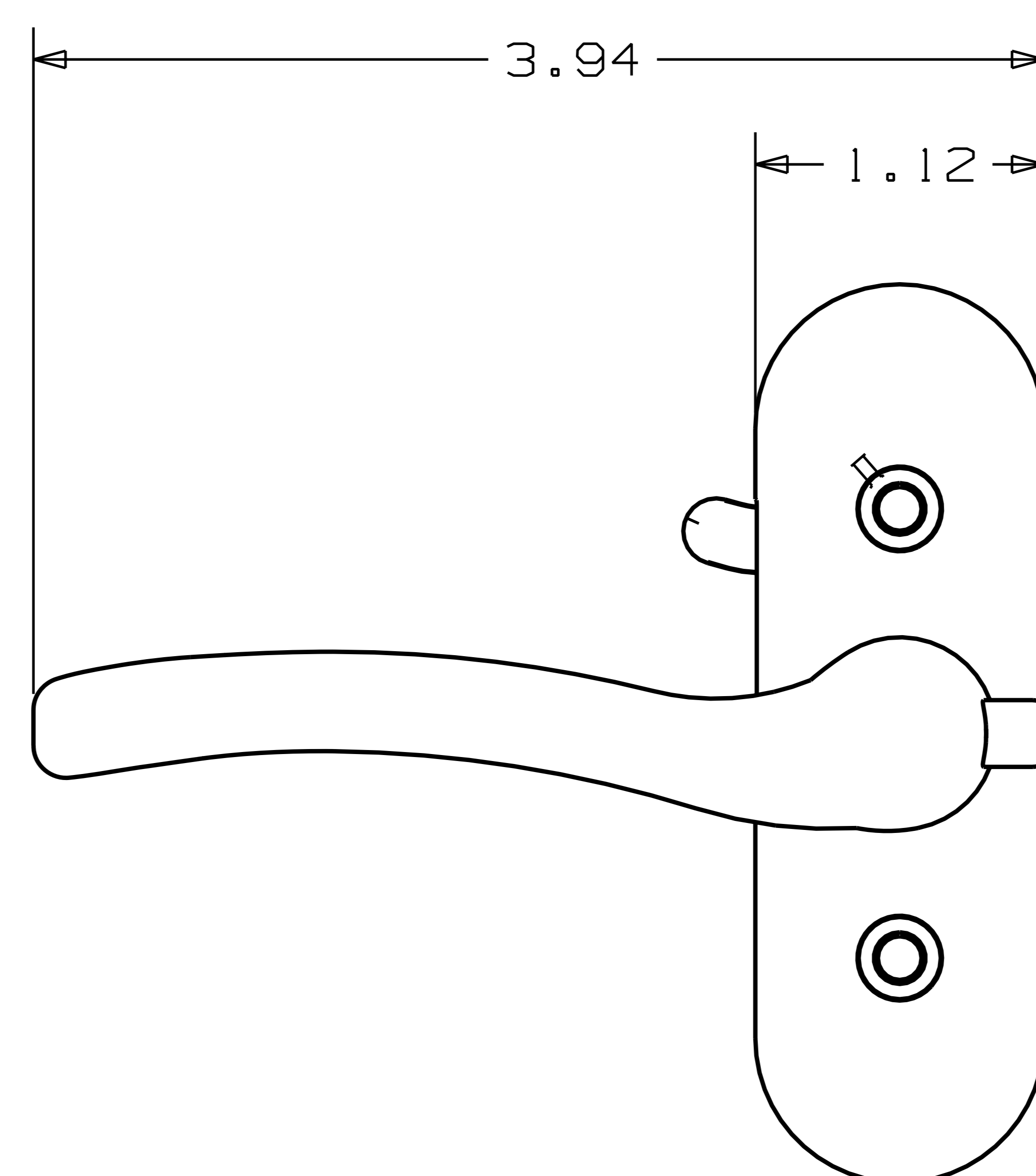


1320

OUTSIDE
LATCH



INSIDE
LATCH



Dimensions shown are nominal and subject to change. For critical design specification, contact techinfo@natman.com
©2007 National Manufacturing Co.