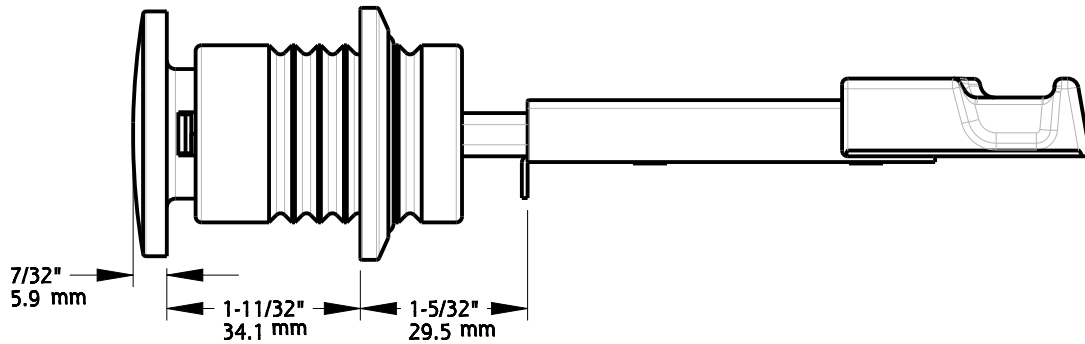
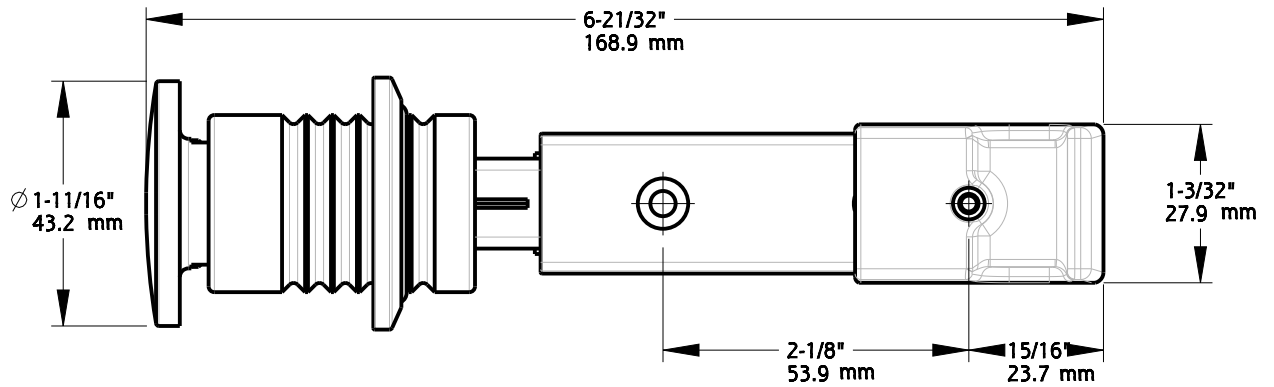


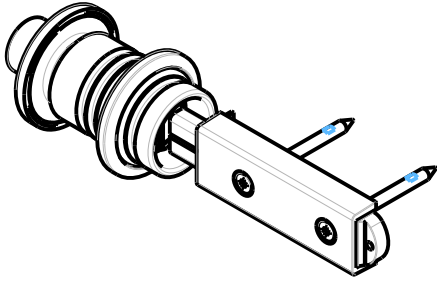
DOOR IS ON THE EXTERIOR OF THE ROOM.



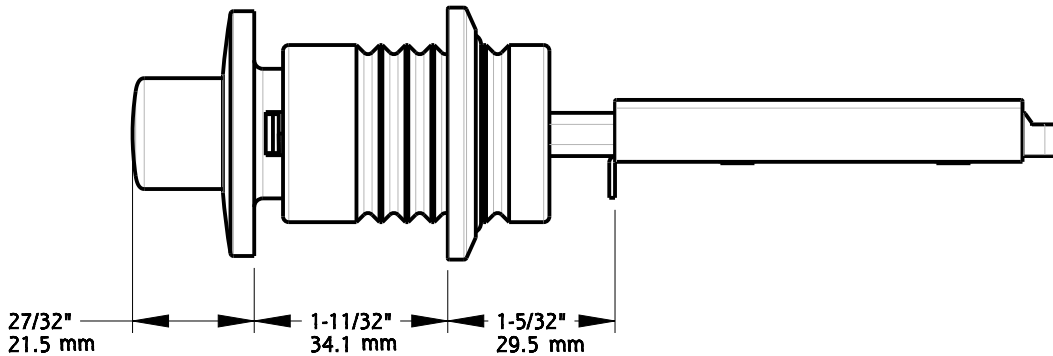
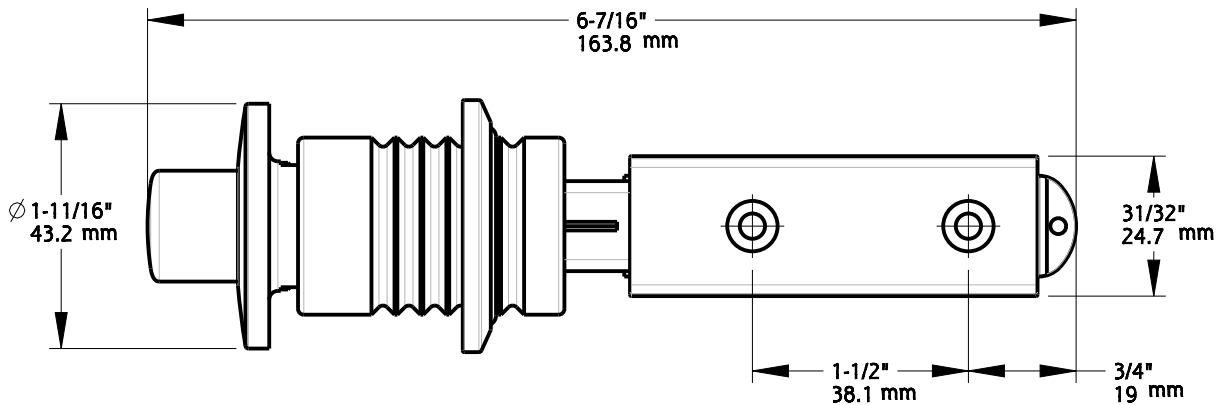
N700-150	MATTE BLACK
N700-151	SATIN NICKEL
N700-152	BRUSHED GOLD
SKU NO.	FINISH

Material: Steel
Fasteners: (2) Wood Screw, Flat Head, #8 x 2"

Revision	1	DO NOT SCALE	1045	See Table
Date	Nov 2020	Dimensions are nominal and subject to change.	Family Name	SKU
		©2019 Spectrum Brands, Inc.	PRIVACY LOCK, BARN DOOR	
			Description	



DOOR IS ON THE INTERIOR OF THE ROOM



N700-150	MATTE BLACK
N700-151	SATIN NICKEL
N700-152	BRUSHED GOLD
SKU NO.	FINISH

Material: Steel
Fasteners: (2) Wood Screw, Flat Head, #8 x 2"

Revision	1	DO NOT SCALE	1045	See Table
Date	Nov 2020	Dimensions are nominal and subject to change.	Family Name	SKU
		©2017 Spectrum Brands, Inc.	PRIVACY LOCK, BARN DOOR	
			Description	