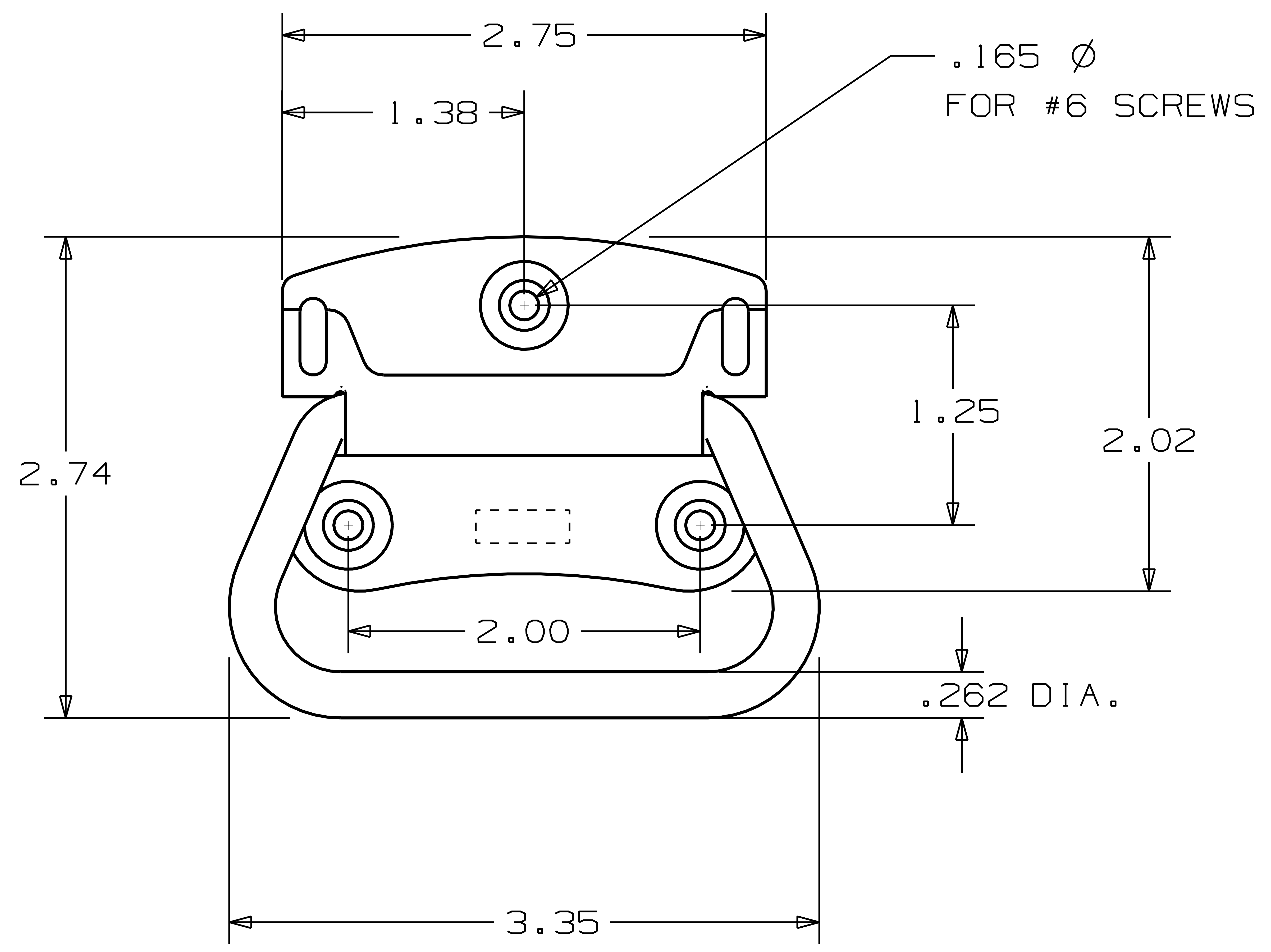


175-2L



Dimensions shown are nominal and subject to change. For critical design specification, contact techinfo@natman.com
©2008 National Manufacturing Co.