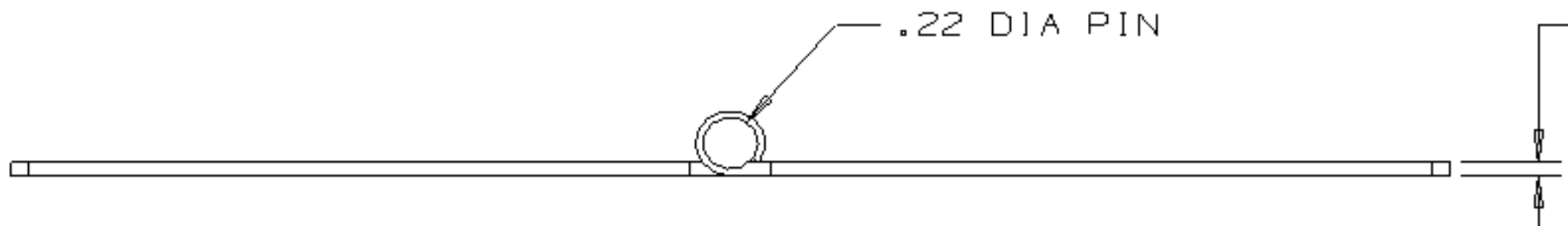


.28 DIA THRU

.22 DIA PIN

.08



Dimensions shown are nominal and subject to change. For critical design specification, contact techinfo@natman.com
 ©2000 National Manufacturing Co.