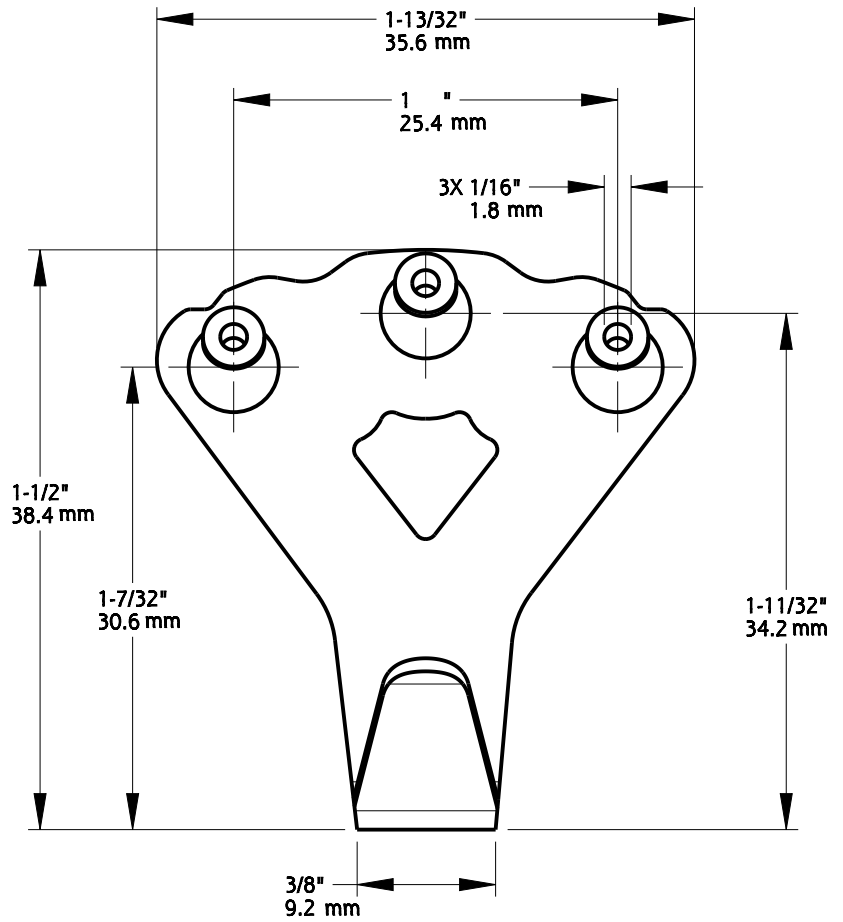
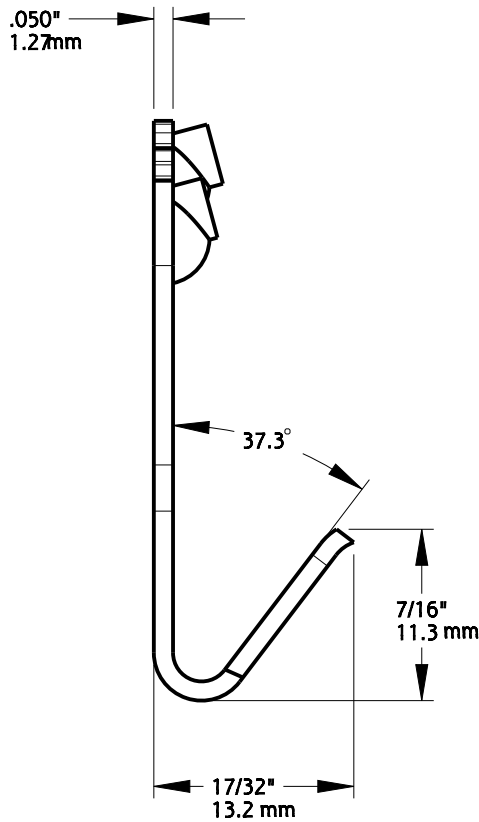
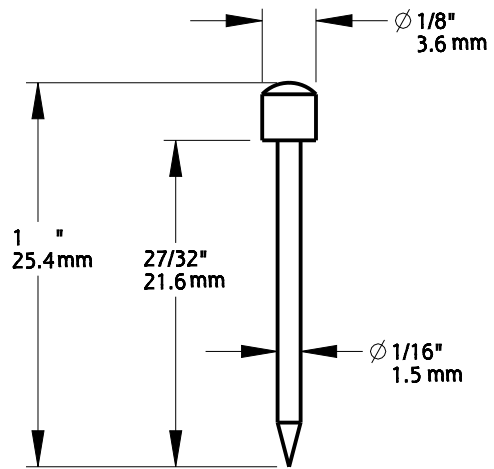
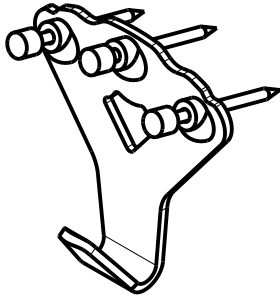


National
Hardware™



Material: STEEL
Finish: BRASS
Package: V-PAC
QTY: 1
SWL: 100LBS

Revision	1	DO NOT SCALE	V2532	N260-114
Date	September 2019	Dimensions are nominal and subject to change. ©2019 Spectrum Brands, Inc.	Family Name	SKU
Description			PROFESSIONAL PICTURE HANGERS	