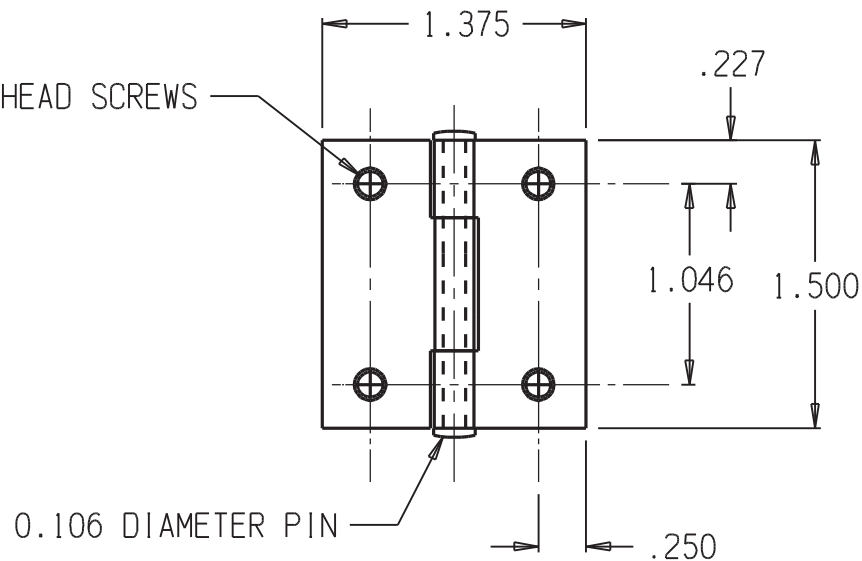


C' SINK FOR #5 FLAT HEAD SCREWS
0.197 THRU DIAMETER
(4 HOLES)



DO NOT SCALE

APPLIES TO:	
NATIONAL 838	NON-REMOVABLE PIN
NATIONAL 518	NON-REMOVABLE PIN
NATIONAL 519	SPUN PIN 304 STS
NATIONAL 840	REMOVABLE PIN
NATIONAL 508	REMOVABLE PIN

DIMENSIONS IN INCHES AND [mm] SHOWN ARE NOMINAL
AND SUBJECT TO CHANGE. FOR CRITICAL SPECIFICATIONS
CONTACT NATIONAL HARDWARE CUSTOMER SUPPORT.

©2020 SPECTRUM BRANDS, INC. ALL RIGHTS RESERVED

1½" NARROW UTILITY HINGE