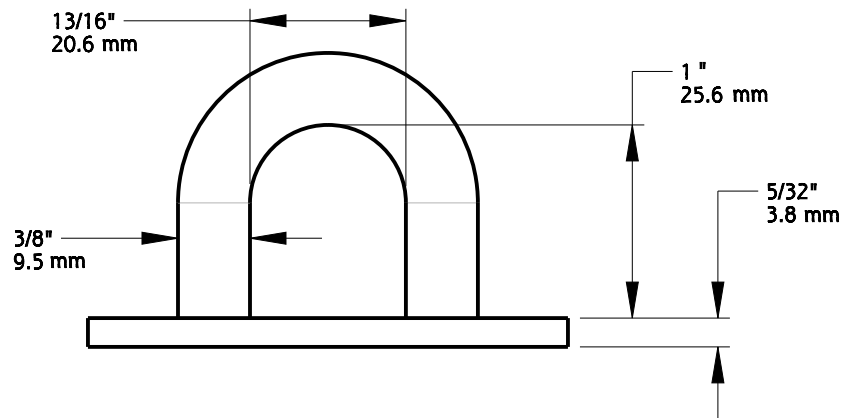
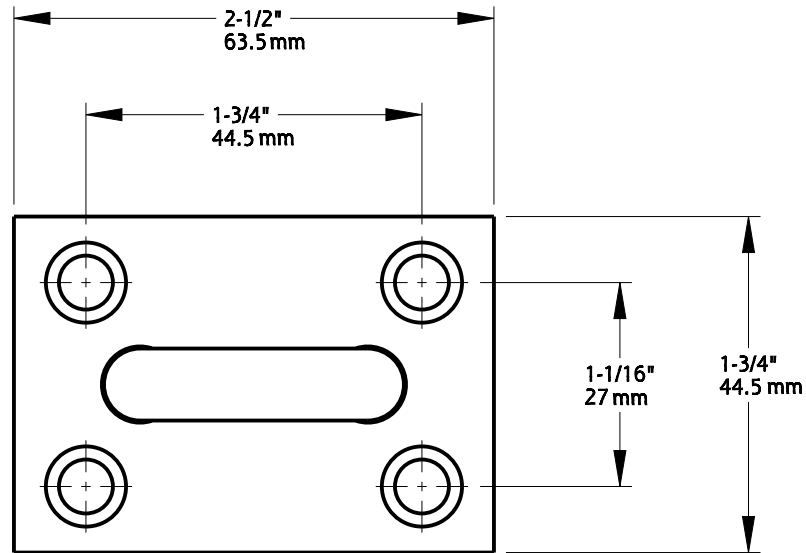


HASP

Material: Steel
Finish: Zinc Plated

Fasteners:
(4) Tapping screw, Flat Head, #12 x 1-1/4", Type AB

<p>Revision</p> <p style="text-align: right;">1</p>	<p>DO NOT SCALE</p> <p>Dimensions are nominal and subject to change.</p>	<p>Family Name</p> <p style="text-align: center;">MPB941</p>	<p>SKU</p> <p style="text-align: center;">N236-322</p>
<p>Date</p> <p style="text-align: center;">December 2017</p>	<p>©2017 Spectrum Brands, Inc.</p>	<p>Description</p> <p style="text-align: center;">HASP & STAPLE, 7-1/2"</p>	



STAPLE

Material: Steel
Finish: Zinc Plated
Fasteners:

(4) Tapping screw, Flat Head, #12 x 1-1/4", Type AB

<p>Revision</p> <p>1</p>	<p>DO NOT SCALE</p> <p>Dimensions are nominal and subject to change.</p>	<p>Family Name</p> <p>MPB941</p>	<p>SKU</p> <p>N236-322</p>
<p>Date</p> <p>December 2017</p>	<p>©2017 Spectrum Brands, Inc.</p>	<p>Description</p> <p>HASP & STAPLE, 7-1/2"</p>	