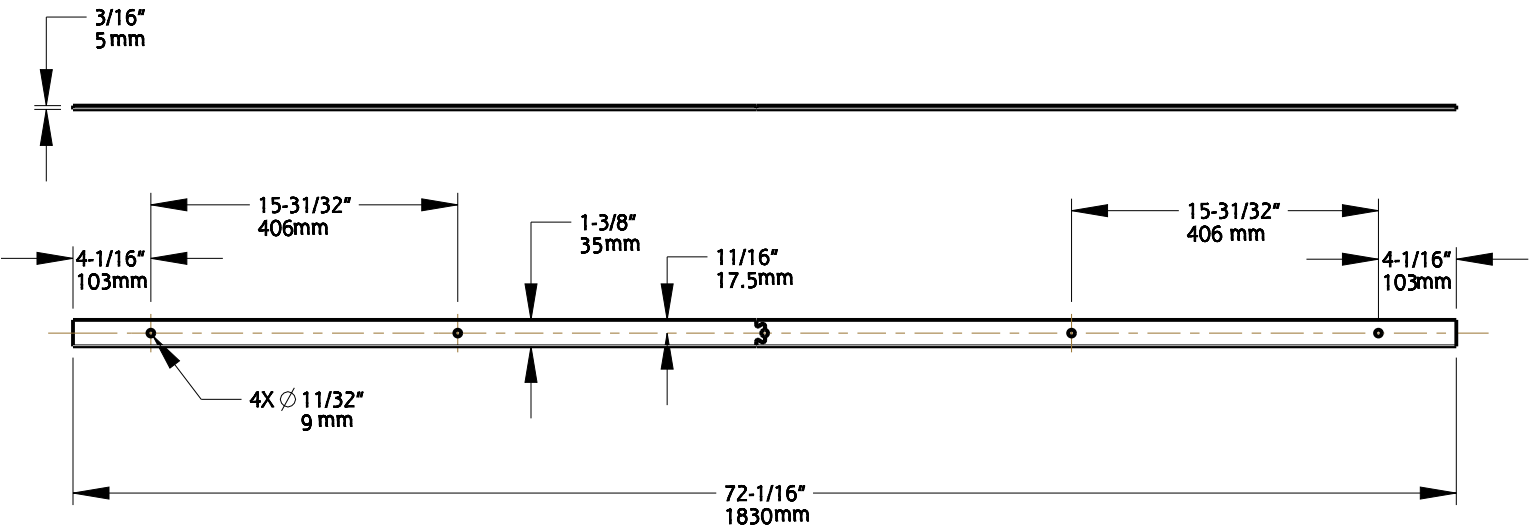
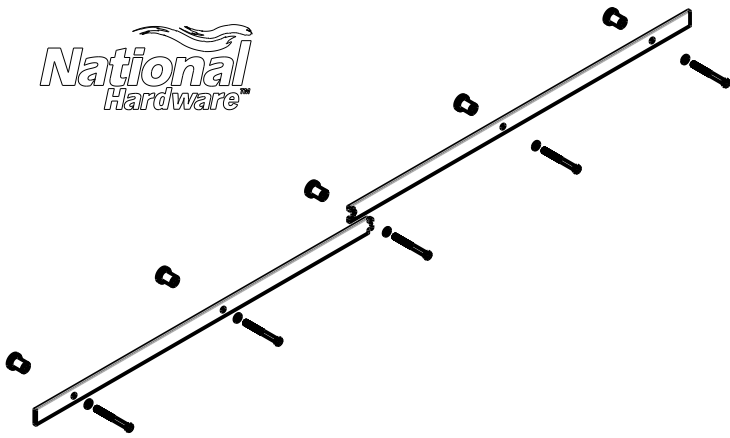
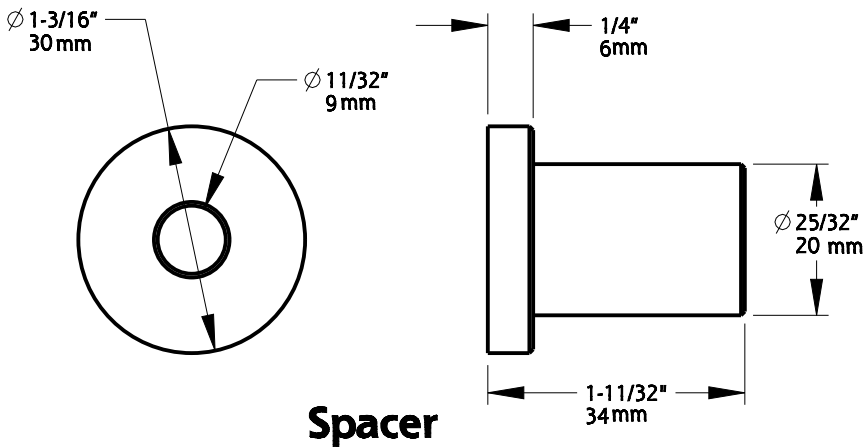


Material: Steel  
Finish: Matte Black

Revision	1 DO NOT SCALE Dimensions are nominal and subject to change.	929 Family Name	N700-001 SKU
Date	JULY 2020 ©2017 Spectrum Brands, Inc.	72IN BUILDER IBD KIT Description	



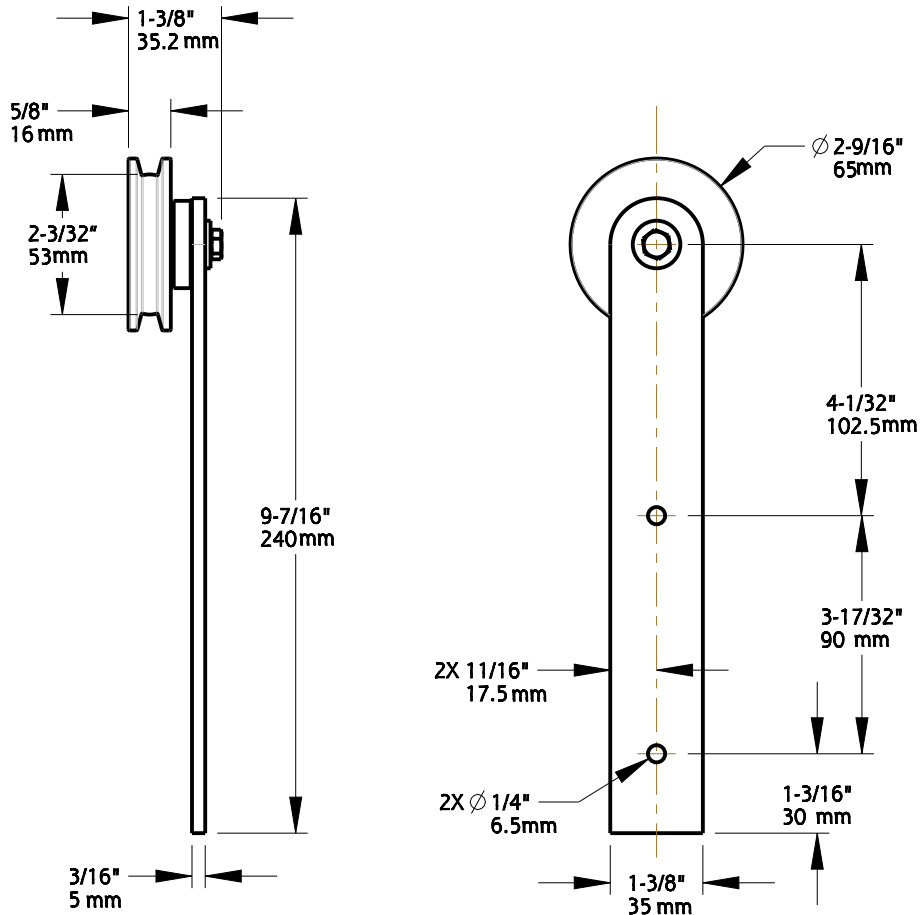
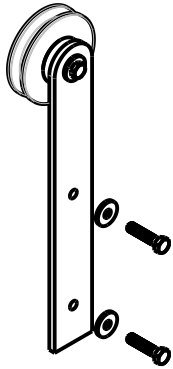
### Track



### Spacer

Fasteners: (4) Hex Screw, M8 x 3-1/2" Long  
 (4) Washer, M8  
 (4) Spacer

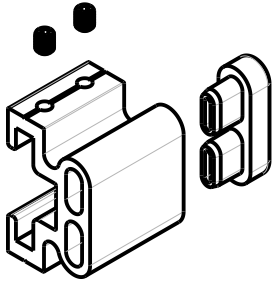
Revision	<b>1</b>	DO NOT SCALE	<b>929</b>	<b>N700-001</b>
Date	<b>JULY 2020</b>	Dimensions are nominal and subject to change.	Family Name	SKU
		©2017 Spectrum Brands, Inc.	<b>72IN BUILDER IBD KIT</b>	
			Description	



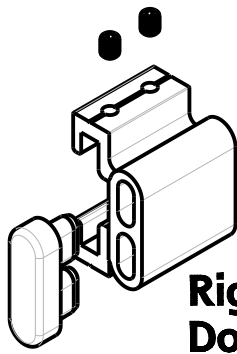
### Hanger

Fasteners: (2) Hex Screw, M6x1-1/6" Long  
(2) Washer, M6

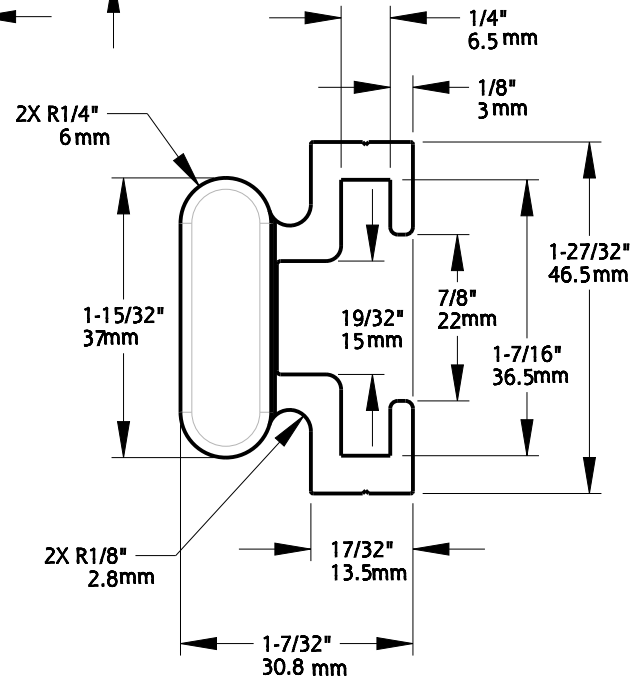
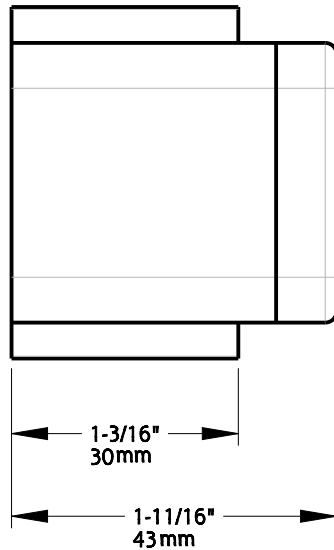
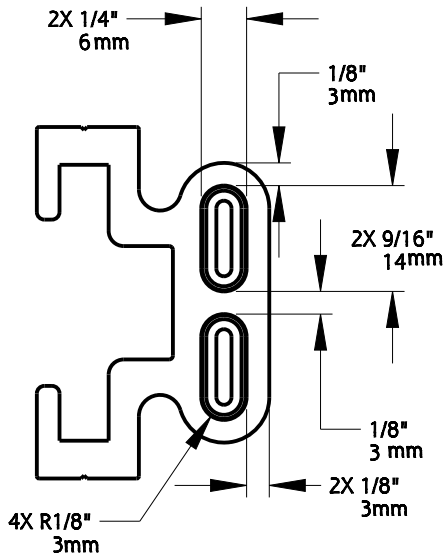
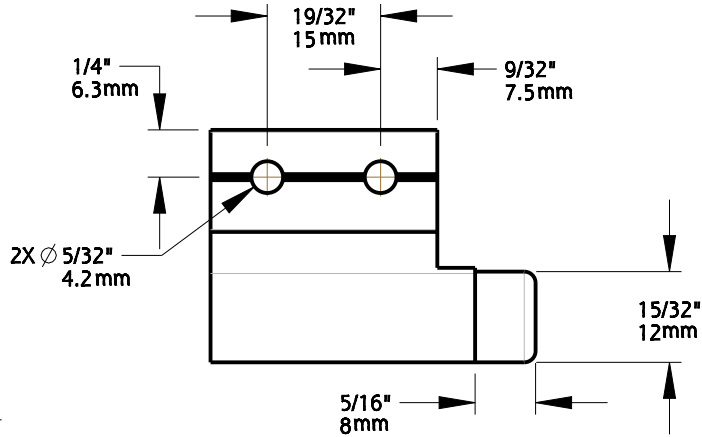
Revision	<b>1</b>	DO NOT SCALE	<b>929</b>	<b>N700-001</b>
Date	<b>JULY 2020</b>	Dimensions are nominal and subject to change.	Family Name	SKU
		©2017 Spectrum Brands, Inc.	<b>72IN BUILDER IBD KIT</b>	
			Description	



**Left-Sided Door stops**



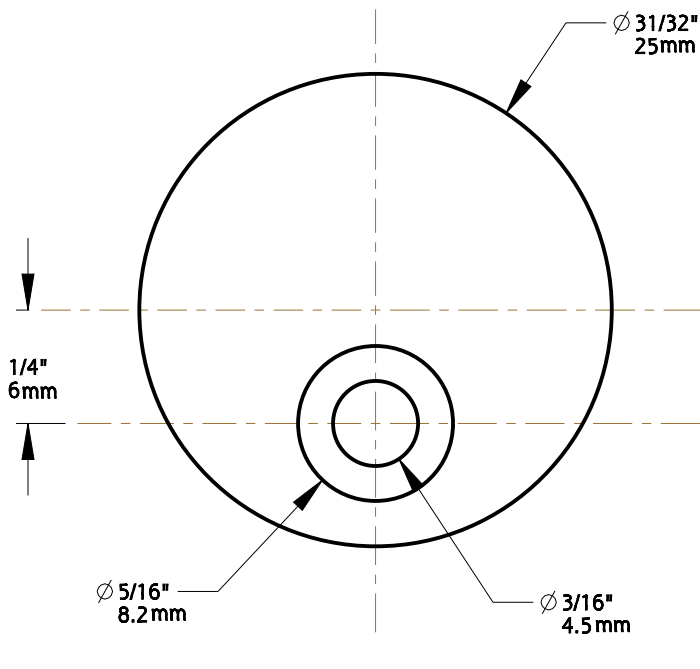
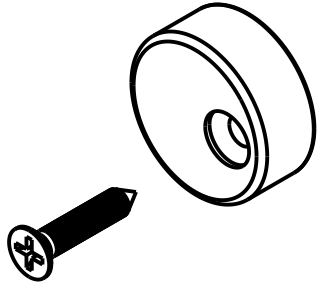
**Right-Sided Door stops**



**Door stops**

Fasteners (per door stop):  
(2) Set Screw, M5x1/4" Long

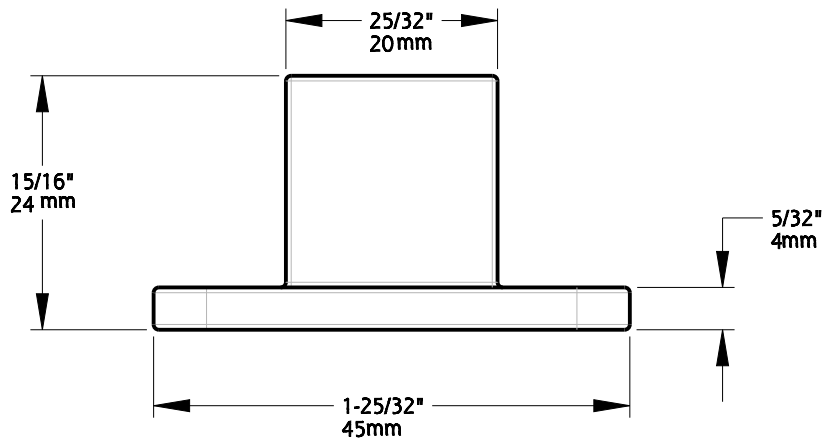
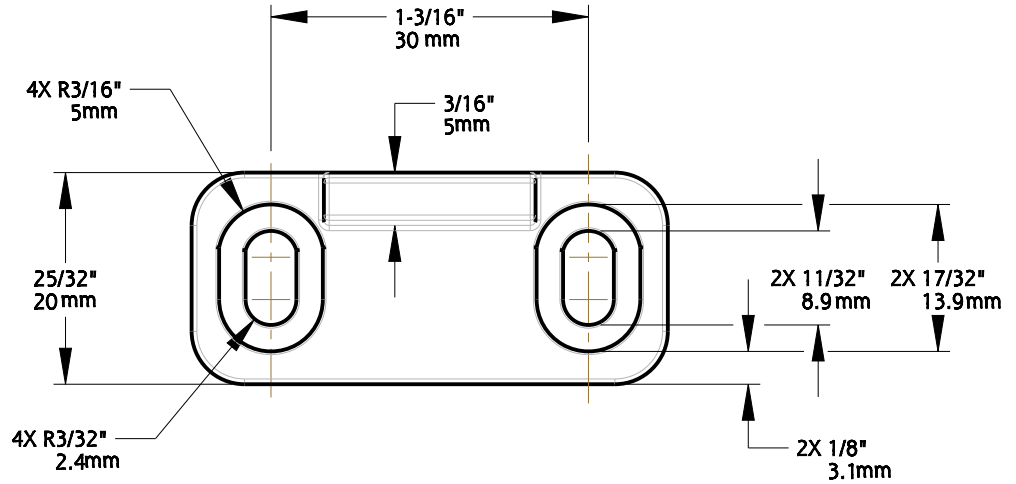
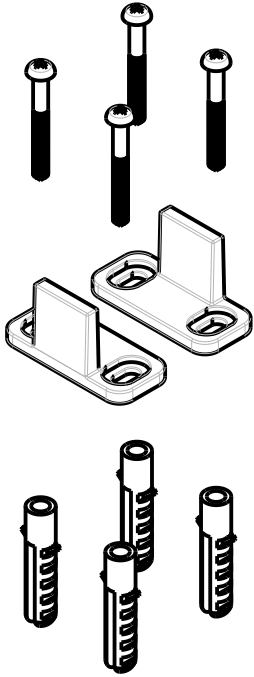
Revision	<b>1</b>	DO NOT SCALE	<b>929</b>	<b>N700-001</b>
Date	<b>JULY 2020</b>	Dimensions are nominal and subject to change.	Family Name	SKU
		©2017 Spectrum Brands, Inc.	<b>72IN BUILDER IBD KIT</b>	
			Description	



## Anti-Jump Disc

Fasteners: (1) Screw, M4x3/4" Long, Self tapping

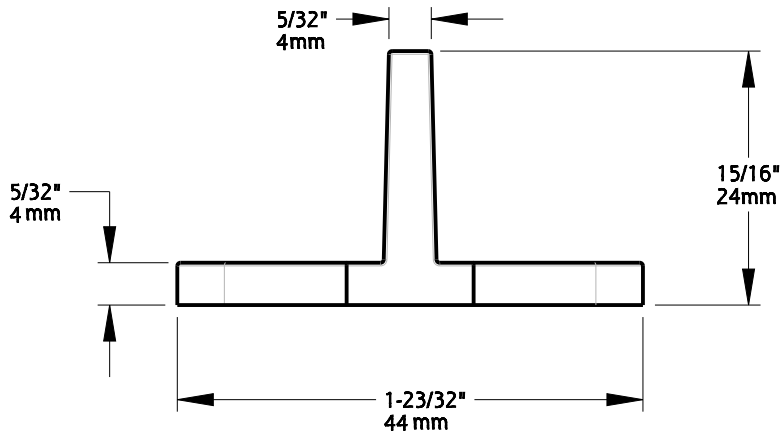
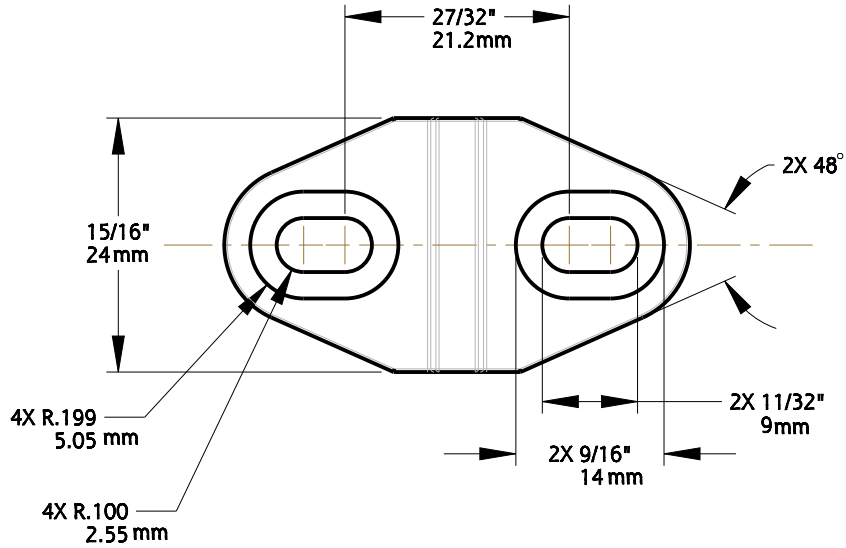
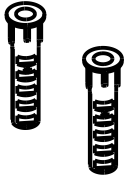
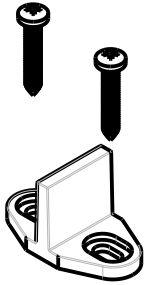
Revision	<b>1</b>	DO NOT SCALE	<b>929</b>	<b>N700-001</b>
Date	<b>JULY 2020</b>	Dimensions are nominal and subject to change.	Family Name	SKU
		©2017 Spectrum Brands, Inc.	<b>72IN BUILDER IBD KIT</b>	
			Description	



## Double Floor Guide

Fasteners: (4) Phillips Screw,  $\frac{5}{32}\text{''}$  x  $1\text{-}\frac{3}{8}\text{''}$  Long, Self tapping  
(4) Anchor,  $1\text{-}\frac{4}{7}\text{''}$  Long, Plastic

Revision	<b>1</b>	DO NOT SCALE	<b>929</b>	<b>N700-001</b>
Date	<b>JULY 2020</b>	Dimensions are nominal and subject to change.	Family Name	SKU
		©2017 Spectrum Brands, Inc.	<b>72IN BUILDER IBD KIT</b>	
			Description	



## Single Floor Guide

Fasteners: (2) Phillips Screw,  $5/32"$  x  $1-3/8"$  Long, Self tapping  
(2) Anchor,  $1-4/7"$  Long, Plastic

Revision	<b>1</b>	DO NOT SCALE	<b>929</b>	<b>N700-001</b>
Date	<b>JULY 2020</b>	Dimensions are nominal and subject to change.	Family Name	SKU
		©2017 Spectrum Brands, Inc.	<b>72IN BUILDER IBD KIT</b>	
			Description	