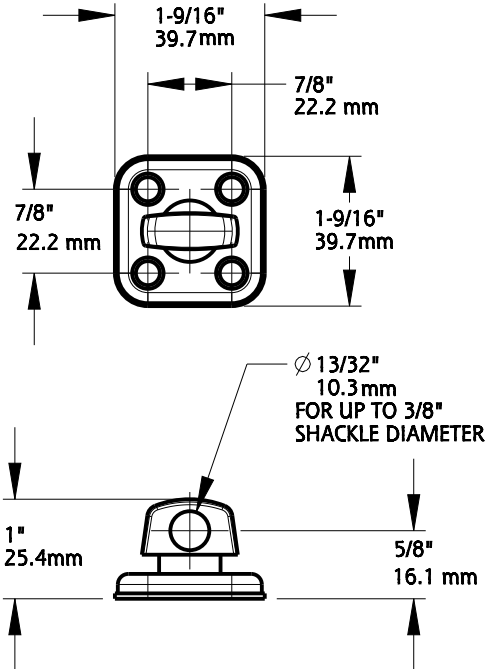


**Hasp**



**Staple**

SKU	Size	Package	A	B
N236-308	3.5"	Visual Pack	3.5" [88.9 mm]	.072" [1.83 mm]
N236-318	3.5"	Bagged	3.5" [88.9 mm]	.072" [1.83 mm]
N236-320	4.5"	Bagged	4.5" [114.3 mm]	.083" [2.11 mm]

Material: Steel  
Finish: Zinc Plated

Fasteners: For Staple: (4) Wood Screw, Flat Head, #8 X 1"  
For 3.5"/4.5" Hasp: (3) Wood Screw, Flat Head, #8 X 1"

<b>1</b>	DO NOT SCALE	<b>917</b>	<b>See Table</b>
Revision	Dimensions are nominal and subject to change. ©2017 Spectrum Brands, Inc.	Family Name	SKU
<b>December 2017</b>		<b>Latching Post Hasp</b>	
Date		Description	