

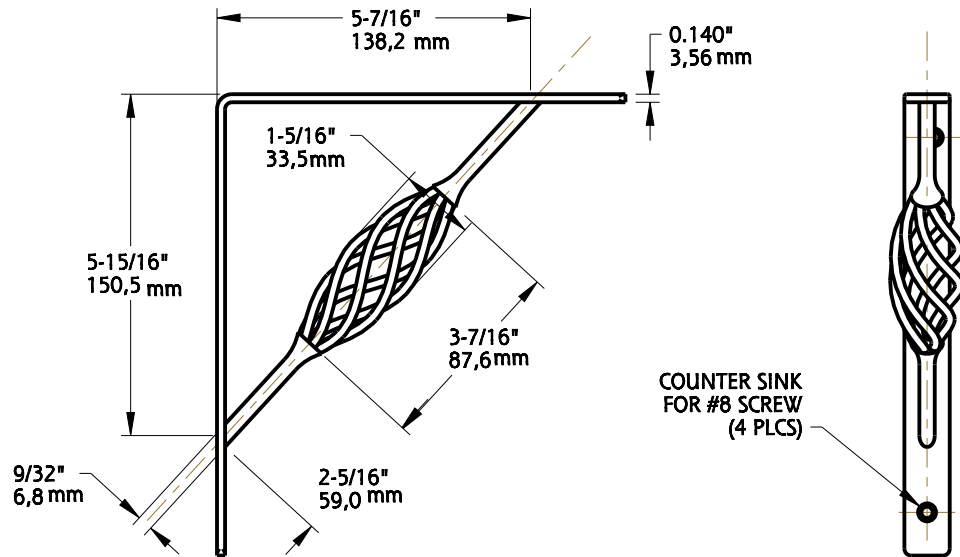
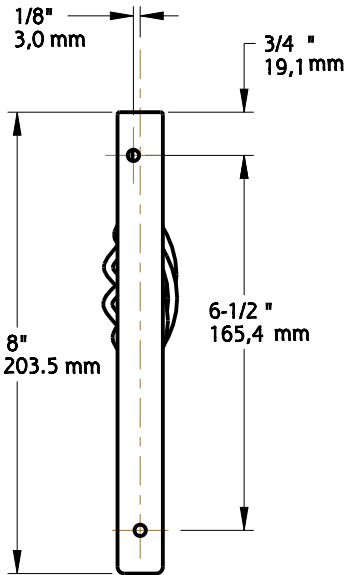
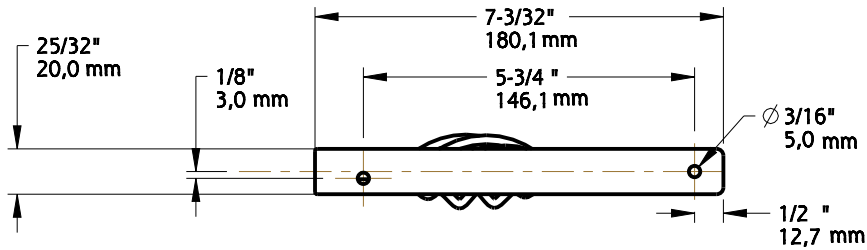
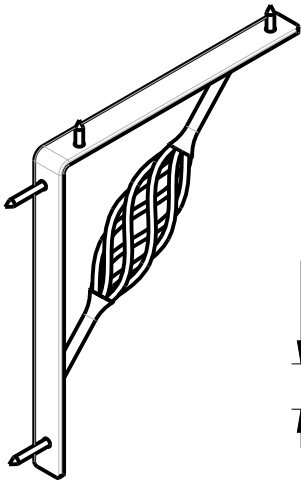
COUNTER SINK FOR #8 SCREW (4 PLCS)

MODERN

SKU	Finish
N236-220	1D, Black
N236-226	15, Satin Nickel
N236-230	White

Material: Steel  
 Fasteners: (2) #8 X 3/4" Oval Head Wood Screw  
 (2) #8 X 1 1/4" Oval Head Wood Screw

<b>1</b>	DO NOT SCALE	<b>V733</b>	See table
Revision	Dimensions are nominal and subject to change. ©2017 Spectrum Brands, Inc.	Family Name	SKU
<b>December 2017</b>		<b>Shelf Bracket, 7"X8"</b>	
Date		Description	

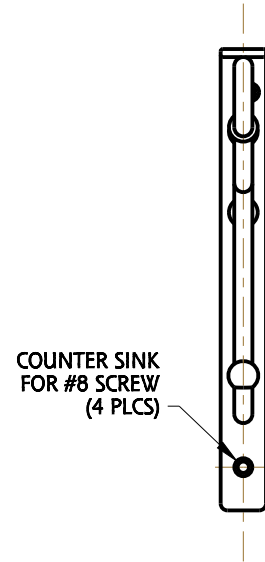
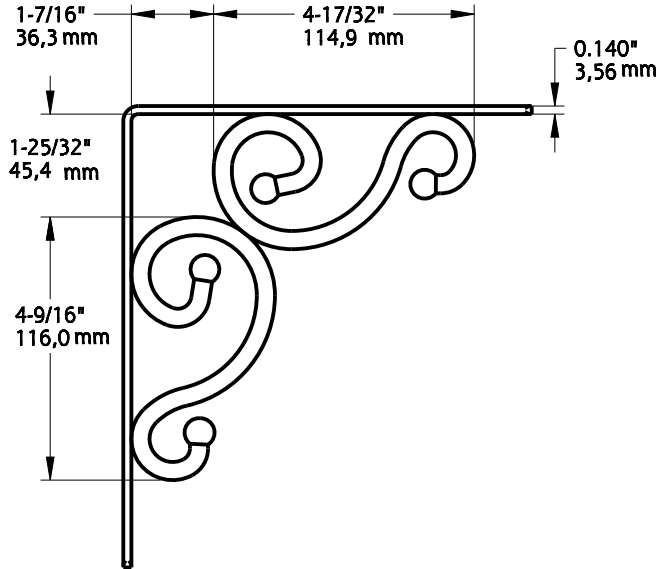
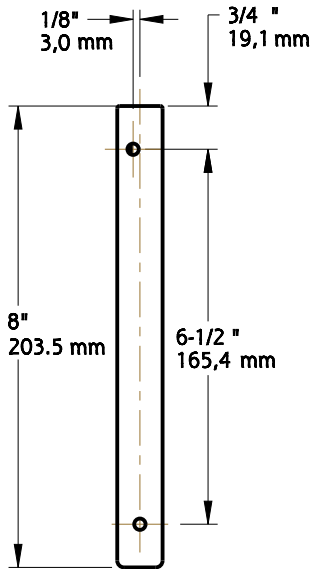
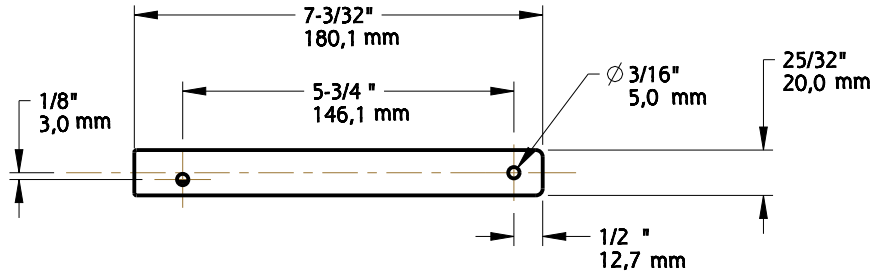
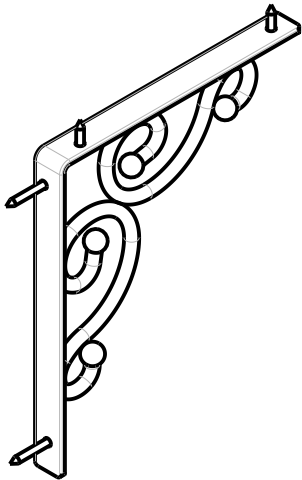


RUSTIC

SKU	Finish
N236-222	1D, Black
N236-218	15A, Antique pewter
N236-214	10A, Antique bronze

Material: Steel  
Fasteners: (2) #8 X 3/4" Oval Head Wood Screw  
(2) #8 X 1 1/4" Oval Head Wood Screw

Revision	1	DO NOT SCALE	V733	See table
Date	December 2017	Dimensions are nominal and subject to change.	Family Name	SKU
		©2017 Spectrum Brands, Inc.	Shelf Bracket, 7"X8"	
			Description	



COUNTER SINK FOR #8 SCREW (4 PLCS)

TRADITIONAL

SKU	Finish
N236-224	1D, Black
N236-228	15, Satin Nickel
N236-216	10A, Antique bronze

Material: Steel  
 Fasteners: (2) #8 X 3/4" Oval Head Wood Screw  
 (2) #8 X 1 1/4" Oval Head Wood Screw

Revision	1	DO NOT SCALE	V733	See table
Date	December 2017	Dimensions are nominal and subject to change.	Family Name	SKU
		©2017 Spectrum Brands, Inc.	Shelf Bracket, 7"X8"	
			Description	