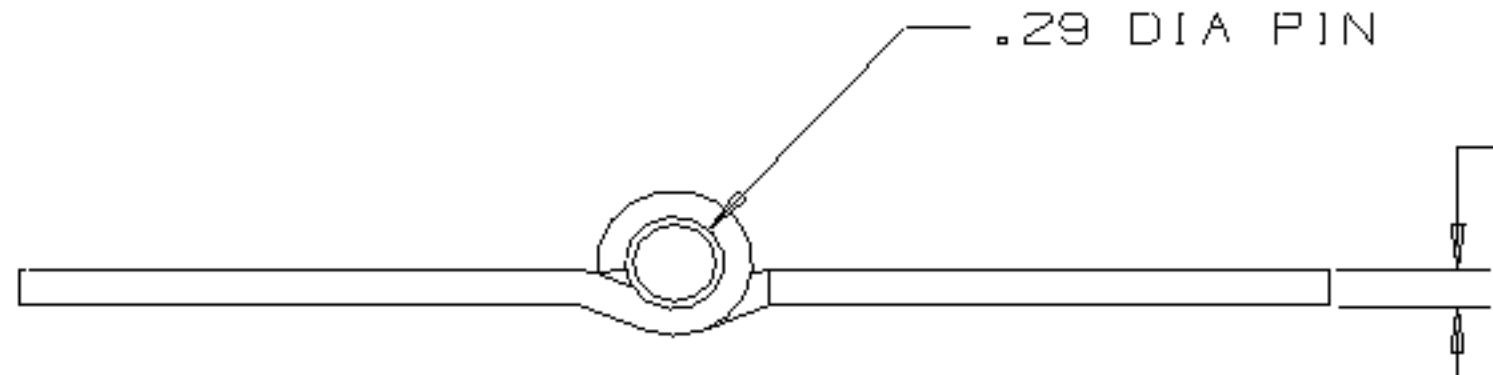


.26 DIA THRU

.29 DIA PIN

.15



Dimensions shown are nominal and subject to change. For critical design specification, contact [techinfo@natman.com](mailto:techinfo@natman.com)  
 ©2000 National Manufacturing Co.