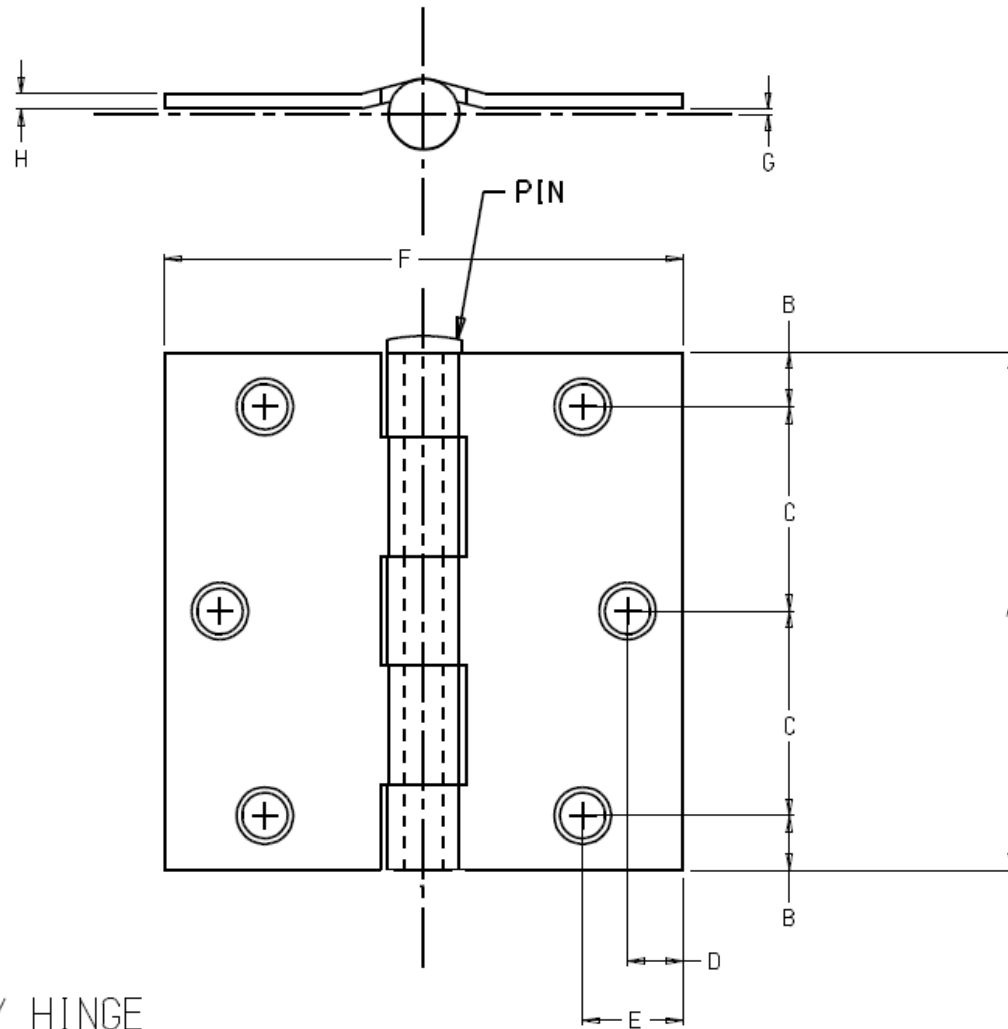


804-T



804 UTILITY HINGE

DIM.	2-1/2"	3"	3-1/2"
A	2-1/2	3	3-1/2
B	9/32	5/16	11/32
C	31/32	1-3/16	1-13/32
D	9/32	.32	.35
E	15/32	37/64	11/16
F	2-1/2	3	3-1/2
G	1/32	1/32	1/32
H	.077	.080	.088

804 UTILITY HINGE