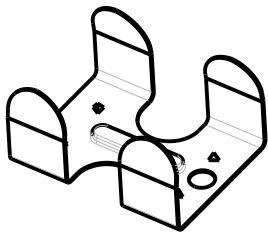
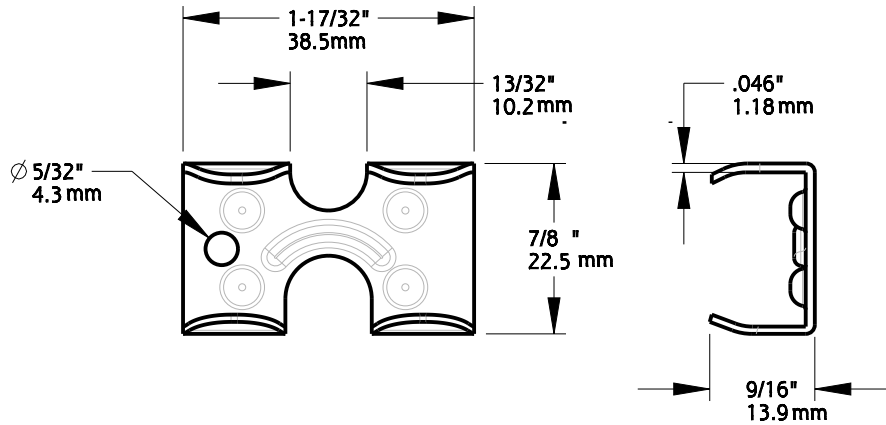
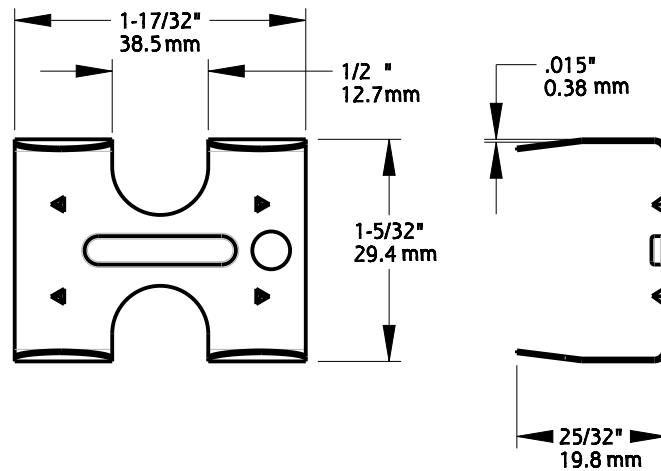


N265-876
N100-317

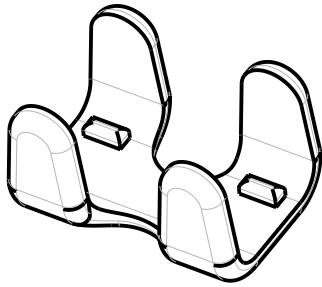


N265-884

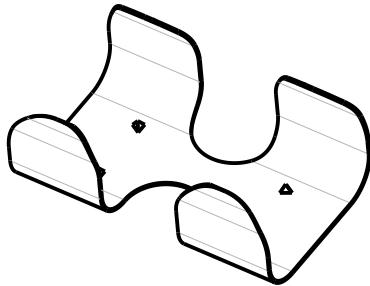
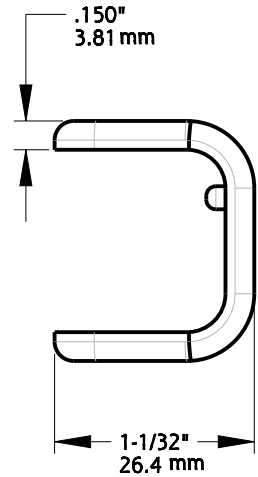
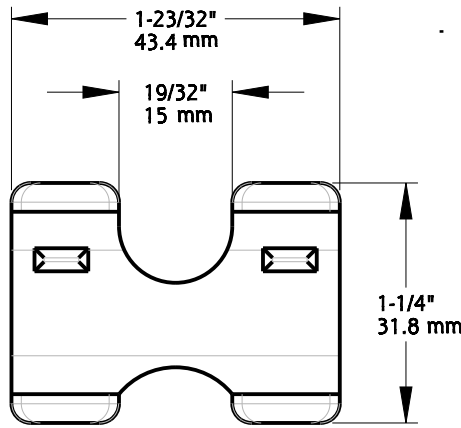


CATALOG	SKU	DESCRIPTION	MATERIAL	FINISH	PACKAGE STYLE	QPP
3234BC	N265-876	3234BC 1/4"-3/8" ROPE CLAMPS	STEEL	ZINC PLATED	BAGGED	1
3234BC	N100-317	3234BC 1/4"-3/8" ROPE CLAMPS	STEEL	ZINC PLATED	SKIN PACK	1
3234BC	N265-884	3234BC 3/8"-1/2" ROPE CLAMPS	STEEL	ZINC PLATED	BAGGED	1

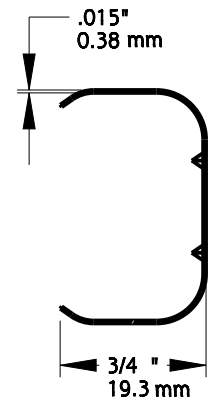
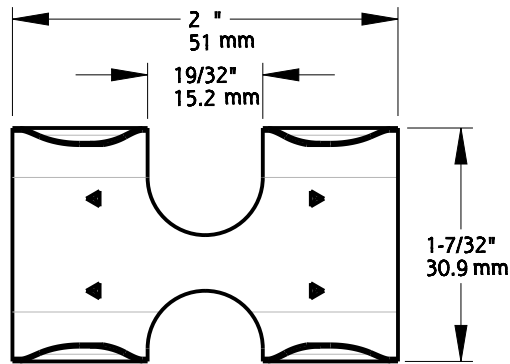
1	DO NOT SCALE	3234	See Table
Revision	Dimensions are nominal and subject to change. ©2019 Spectrum Brands, Inc.	Family Name	SKU
March 2020		ROPE CLAMP	
Date		Description	



N265-892



N890-024



CATALOG	SKU	DESCRIPTION	MATERIAL	FINISH	PACKAGE STYLE	QPP
3235BC	N265-892	3235BC 7/16"-1/2" ROPE CLAMPS	BRASS	NA	BAGGED	1
3235BC	N890-024	3235 7/16" ROPE CLAMP	STEEL	BRONZE PLATED	BAGGED	1

Revision	1	DO NOT SCALE	3234	See Table
Date	March 2020	Dimensions are nominal and subject to change.	Family Name	SKU
		©2019 Spectrum Brands, Inc.	ROPE CLAMP	
			Description	