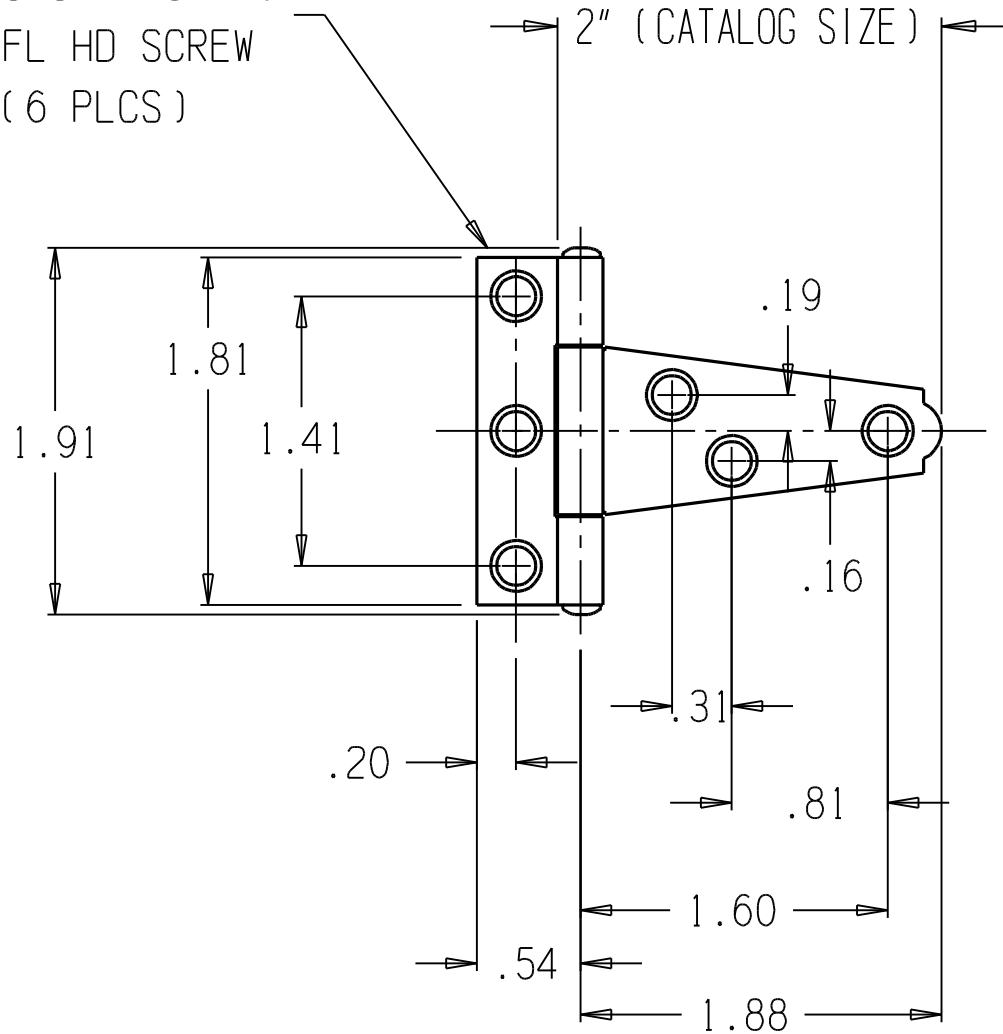


∅ .20 THRU
 C' SNK FOR #6
 FL HD SCREW
 (6 PLCS)



Dimensions shown are nominal and
 subject to change. For critical design
 specification, contact techinfo@natman.com
 2007 National Manufacturing Co.

MATERIAL: 0.048" NOMINAL
 PIN DIA: 0.119"

NATIONAL 284 2" T-HINGE