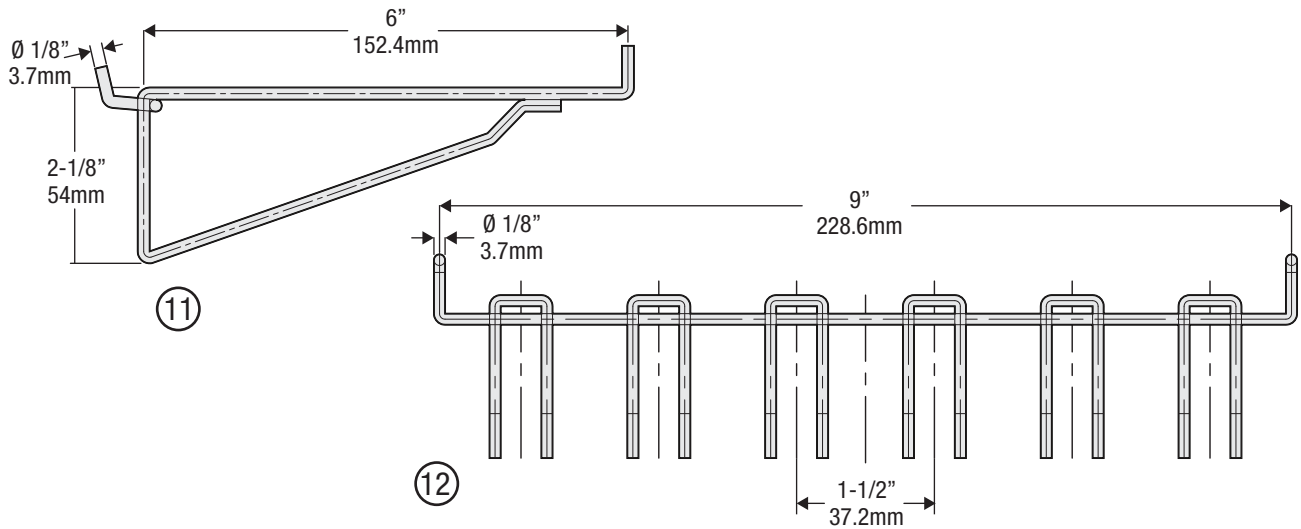


#	SKU	Component Description	Comp Qty	SWL (LBS)
1	N180-016	2296 Peg Locks	24	N/A
2	N180-030	2333 Plier Holder	2	10
3	N180-004	2301 1" Straight Hook	8	10
4	N180-003	2301 1-1/2" Straight Hook	6	10
5	N180-009	2310 2" Single Hook	2	5
6		Grip Clip	2	5
7	N182-004	2345 Pegboard Spacer and #8 x 1-1/4" Screw	6	N/A
8	N180-029	2331 Tool Holder	2	5
9	N180-022	2305 1/4" Curved Hook	6	15
10	N180-024	2305 1" Curved Hook	4	15

Material: Steel
 Finish: Zinc Plated
 Pegboard Size: 1/8" & 1/4"
 Locking Peg Hook Included

Revision	1	DO NOT SCALE	V2396	N112-062
Date	October 2016	Dimensions are nominal and subject to change.	Family No.	SKU
		©2016 Spectrum Brands, Inc.	Peg Hook Assortment	
			Description	



#	SKU	Component Description	Comp Qty	SWL (LBS)
11		6" Shelf Bracket	2	10
12	N220-038	2329 Muti Tool Rack	1	10

Material: Steel
 Finish: Zinc Plated
 Pegboard Size: 1/8" & 1/4"
 Locking Peg Hook Included

Revision	1	DO NOT SCALE	V2396	N112-062
Date	October 2016	Dimensions are nominal and subject to change.	Family No.	SKU
		©2016 Spectrum Brands, Inc.	Peg Hook Assortment	
			Description	