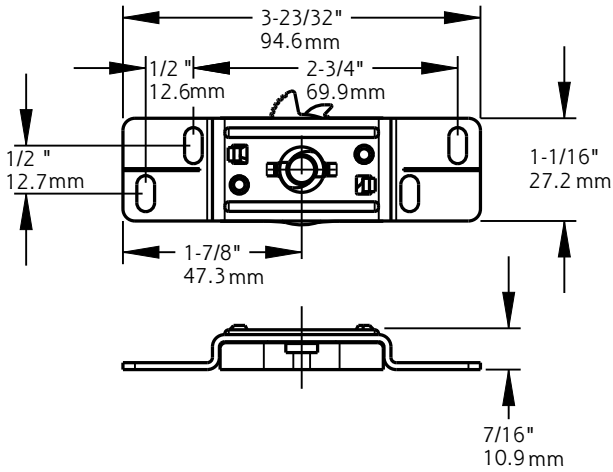


Ball Bearing Wheel Roller Assembly

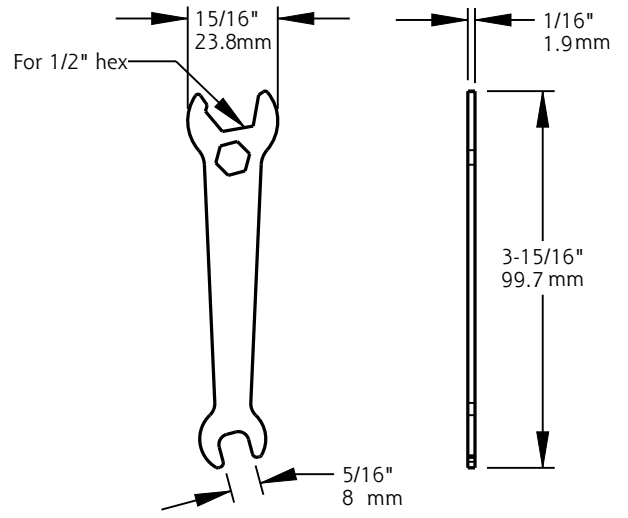
Material: Steel
 Fasteners: 12 EA #8X1-1/2" PAN HEAD (DOOR AND FLOOR PLATES)
 3 EA #8X5/8" PAN HEAD (BRACKETS)
 2 EA #8X3/4" FLAT HEAD (GUIDES)
 2 EA RING SHANK NAIL (BRACKETS OR BUMPER)
 18 EA 2" NAILS (WOOD FRAME)

SKU	Family	Package
N236-023	V150	V-PAC
N830-800	MPB150	Mini-Pac Bagged

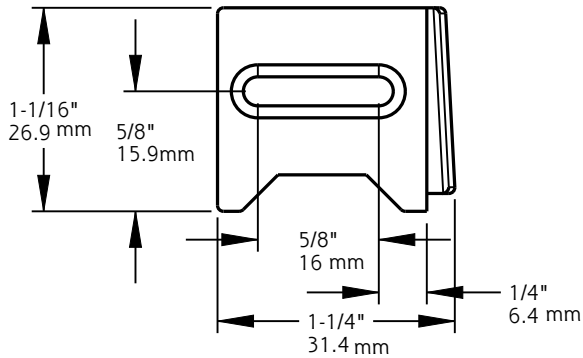
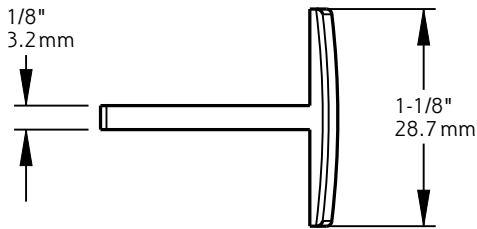
Revision	1	DO NOT SCALE	See Table	See Table
Date	December 2017	Dimensions are nominal and subject to change.	Family Name	SKU
		©2017 Spectrum Brands, Inc.	Pocket Frame Parts	
			Description	Page 1 of 3



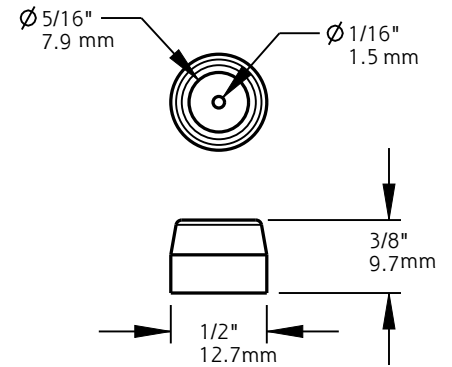
Mounting Plate



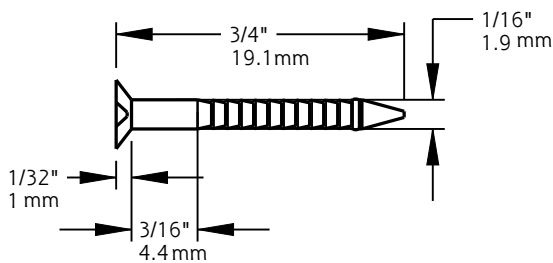
Wrench



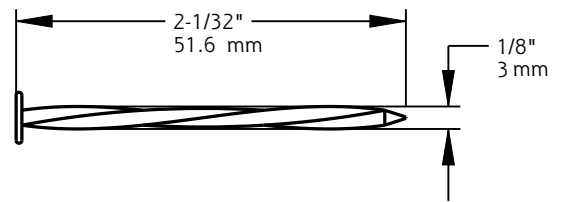
Door Guide



Bumper

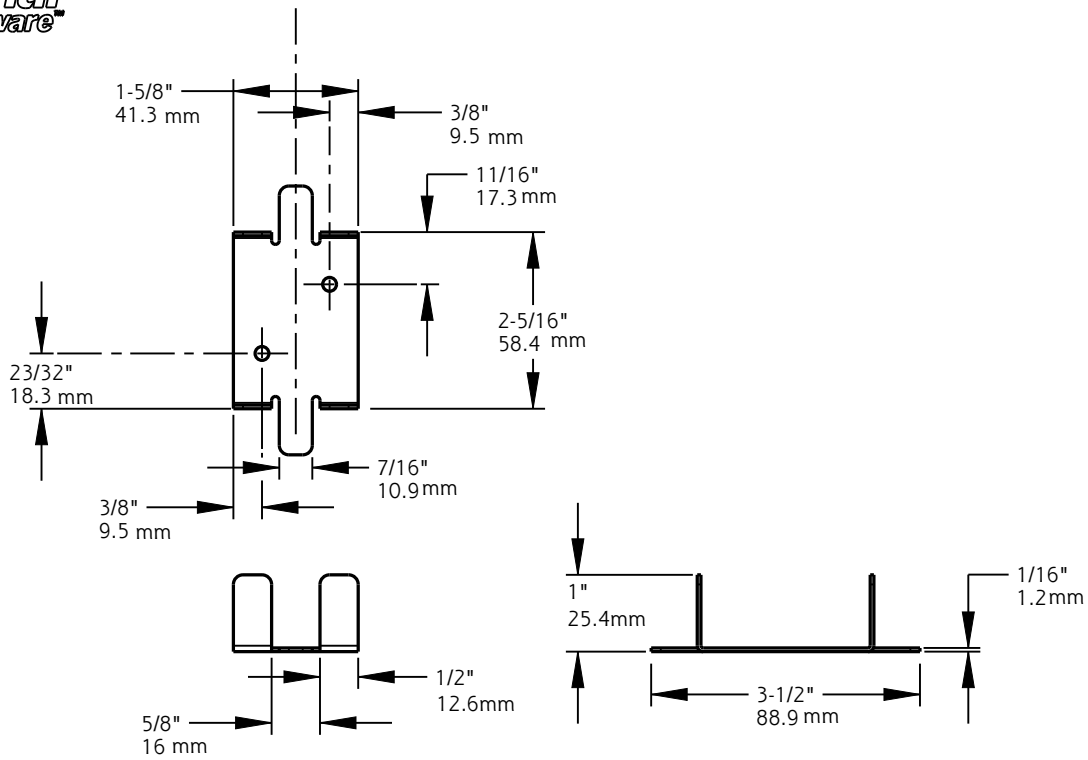


Ring Shank Nail

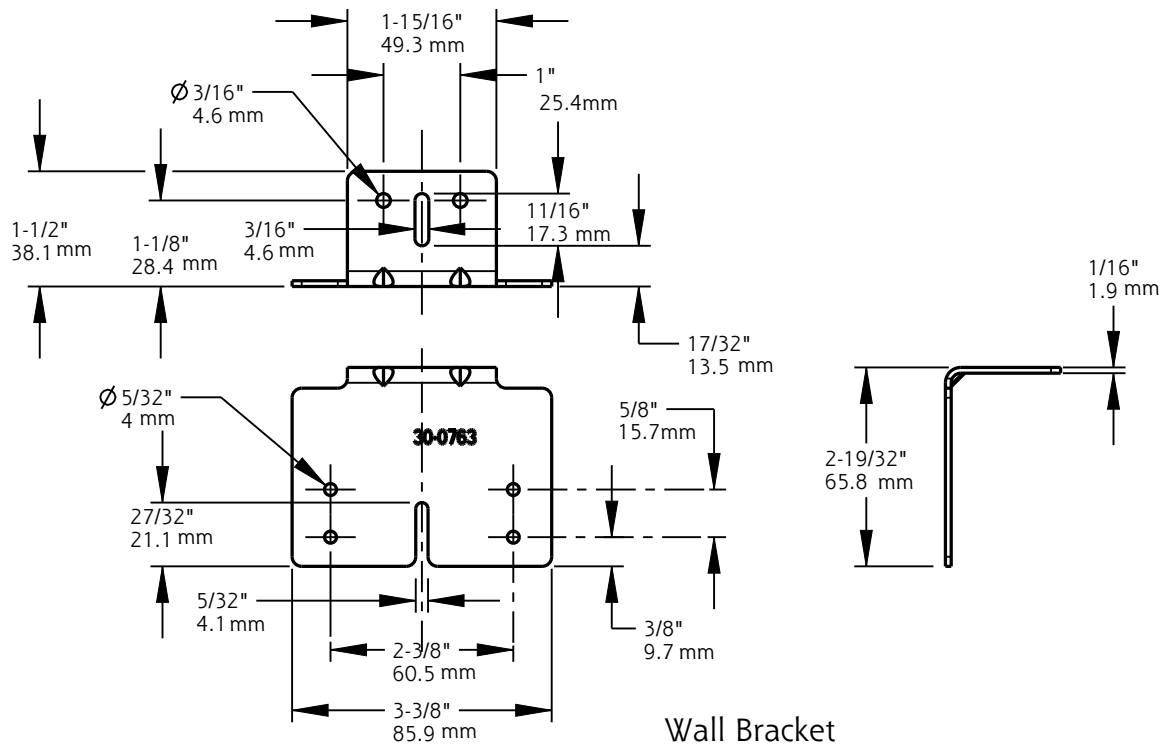


2" Nail

<p>Revision</p> <p style="text-align: center;">1</p>	<p style="text-align: center;">DO NOT SCALE</p> <p style="text-align: center;">Dimensions are nominal and subject to change.</p>	<p style="text-align: center;">See Page 1</p> <p>Family Name</p>	<p style="text-align: center;">See Page 1</p> <p>SKU</p>
<p>Date</p> <p style="text-align: center;">December 2017</p>	<p style="text-align: center;">©2017 Spectrum Brands, Inc.</p>	<p style="text-align: center;">Pocket Frame Parts</p> <p>Description Page 2 of 3</p>	



Floor Bracket



Wall Bracket

1	DO NOT SCALE	See Page 1	See Page 1
Revision	Dimensions are nominal and subject to change. ©2017 Spectrum Brands, Inc.	Family Name	SKU
December 2017		Pocket Frame Parts	
Date		Description	Page 3 of 3