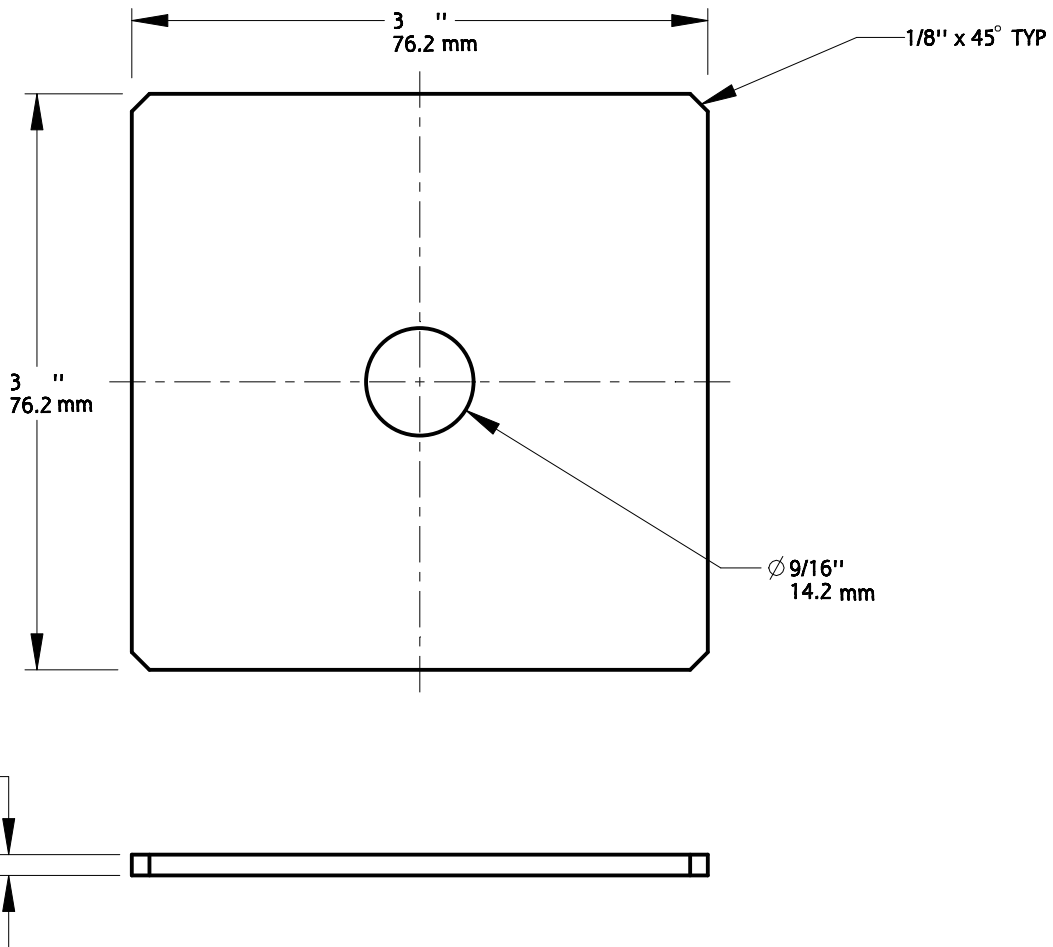


N800-221



Material: Steel  
 Finish: E-coat + black powder coat  
 Fasteners (not included): N800-123 = 1/2" x 1-1/2" lag or equal

Revision <b>1</b>	DO NOT SCALE Dimensions are nominal and subject to change.	Family Name <b>1222BC</b>	SKU <b>N800-221</b>
Date <b>December 2019</b>	©2019 Spectrum Brands, Inc.	Description <b>DECORATIVE WASHER</b>	